

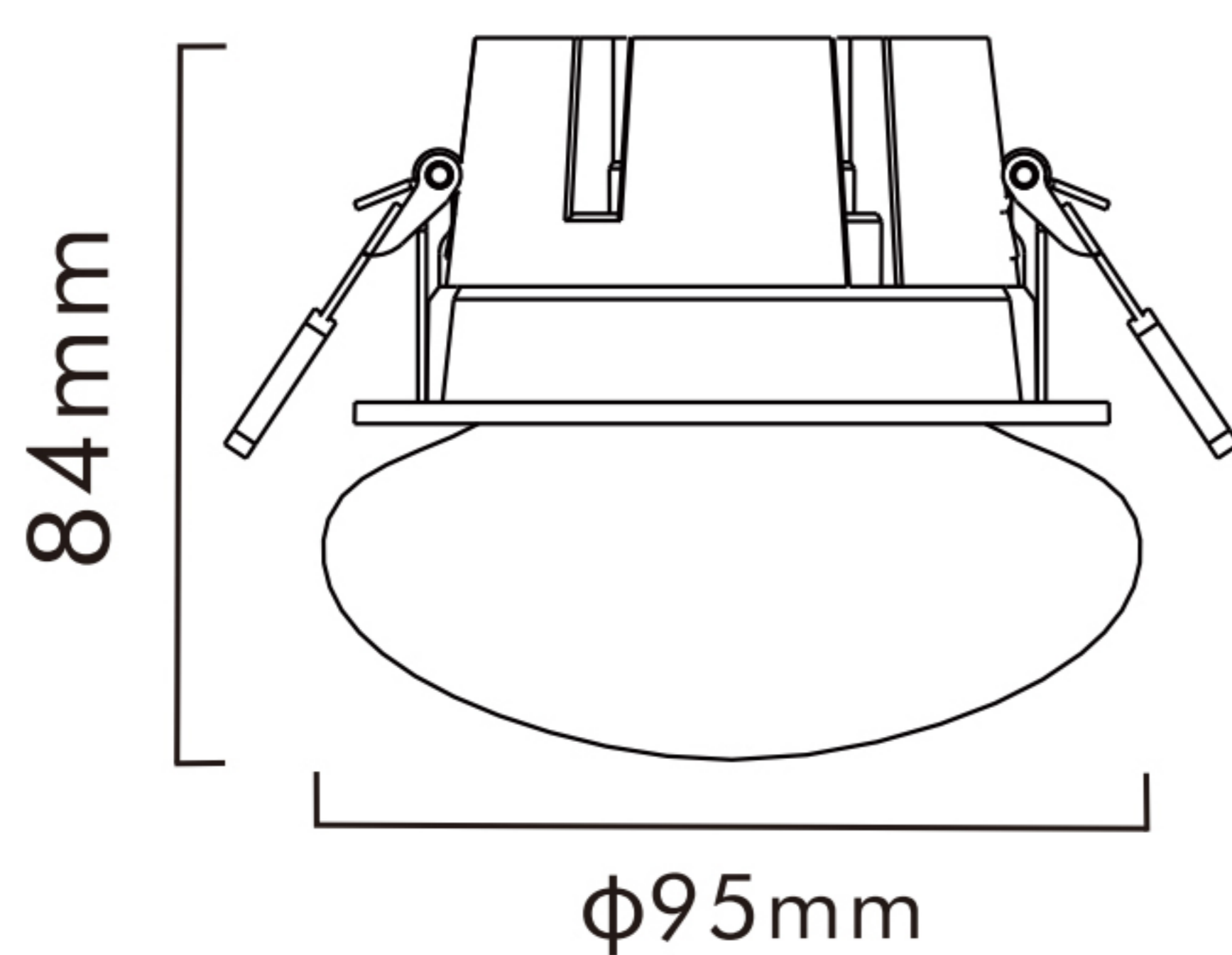
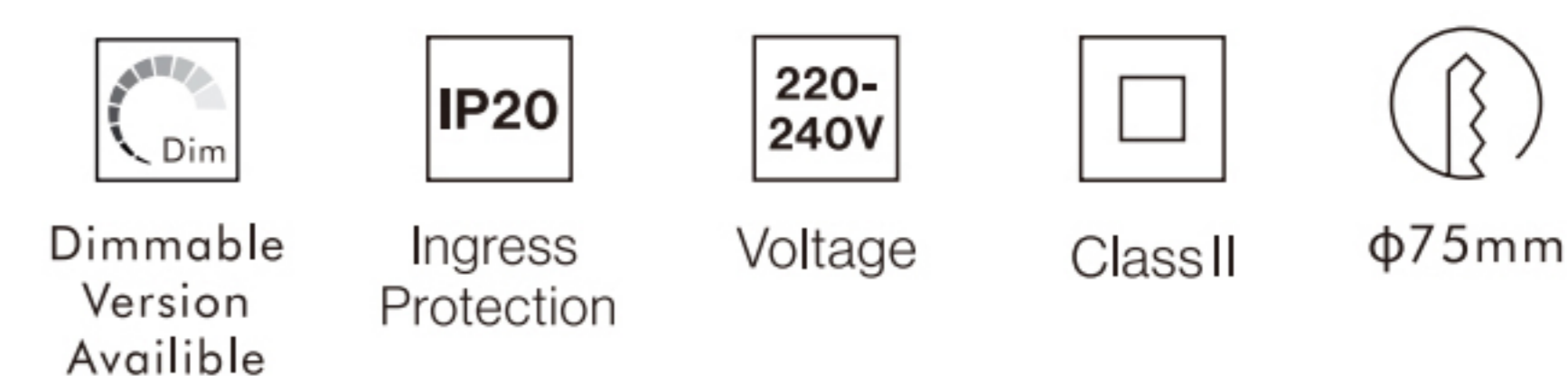


8602-R003-Q-75-B5



Power	8W/10W
Beam angle	24°/30°/50°
CCT	2700K/3000K/4000K/5000K
Light efficiency	90lm/W
Light source	COB
CRI	>90
Input	DC36V 230mA
Operating temperature	-15°C-50°C

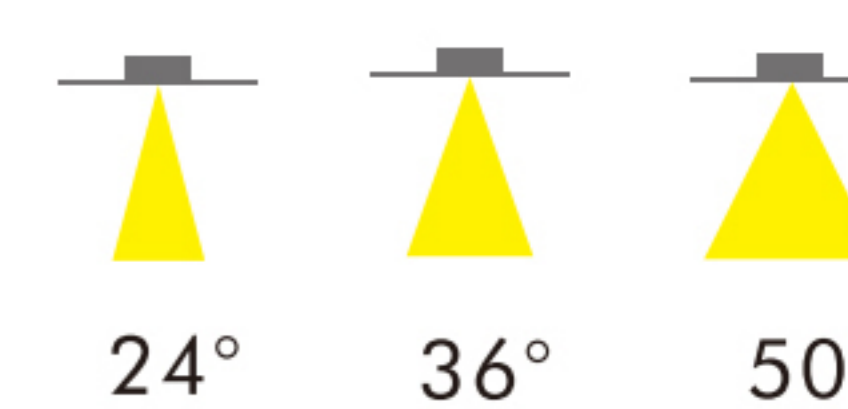
CE RoHS CB CCC



Dimming Options

1	Non-DIM
2	TRIAC
3	0/1-10V
4	DALI
5	Bluetooth

Beam Angles



Surfaces

materials

Aluminium + PC

heatsink colors

Star Grey

surface shade

Translucent



project-driven interior lighting solution provider