

Modulayer

Surface mounted luminaires series

Surface



8601-SE-T120050-H1

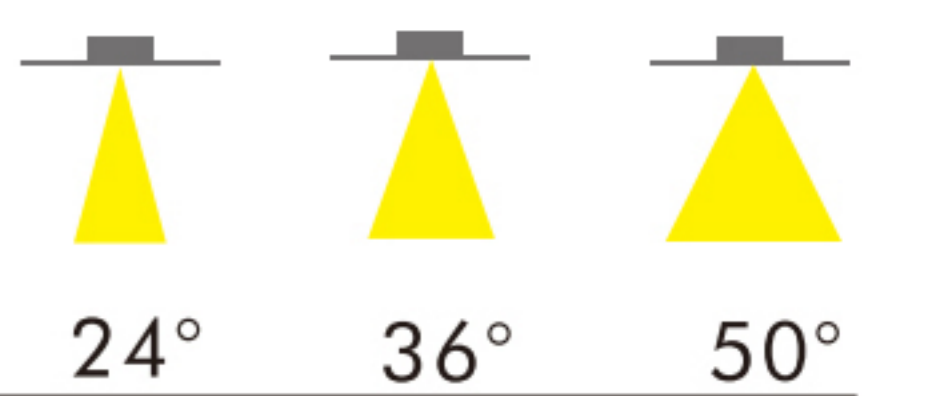
Hyperelliptic

Power	24W/28W
Beam angle	24° /36° /50°
CCT	2700K/3000K/3500K/4000K
Light source	COB
Light efficiency	100-110LM/W
UGR	<17
CRI	>90
Power supply	DC36V 700mA
Operating temperature	-15°C-45°C

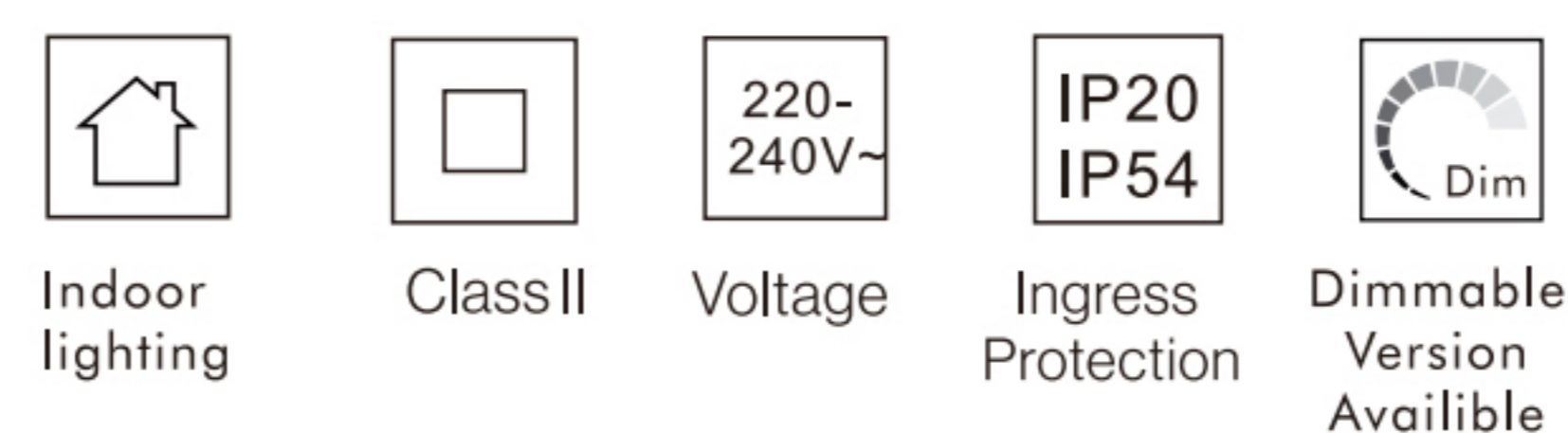
Dimming Options

1	Non-DIM
2	TRIAC
3	0/1-10V
4	DALI
5	Bluetooth

Beam Angles



CE RoHS CB CCC



Surfaces

materials

Aluminium + PC

heatsink colors

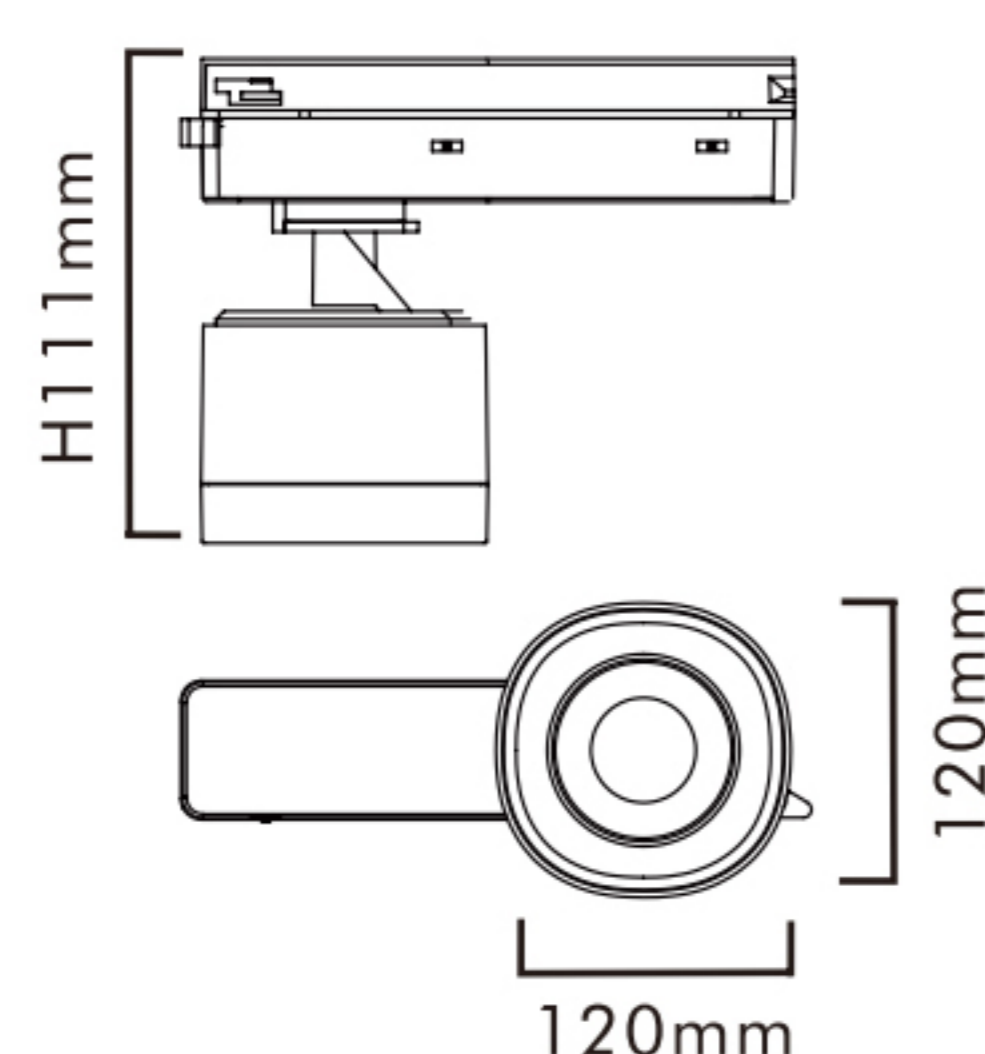
Moon White Mineral Gold

Star Grey Polar Black

surface shade

Translucent

Dimensions



project-driven interior lighting solution provider

Performance

4000K 24W 24°	h(m)	E(lx)	D(m)
	1		
	2		
	3		
	4		

4000K 24W 36°	h(m)	E(lx)	D(m)
	1	5848	0.69
	2	1462	1.37
	3	649	2.06
	4	365	2.74

4000K 24W 50°	h(m)	E(lx)	D(m)
	1	3376	1.08
	2	844	2.11
	3	375	3.16
	4	211	4.21

for further lighting effects refer to updates photometric and IES files.