

# Modulayer

## Surface mounted luminaires series

Surface

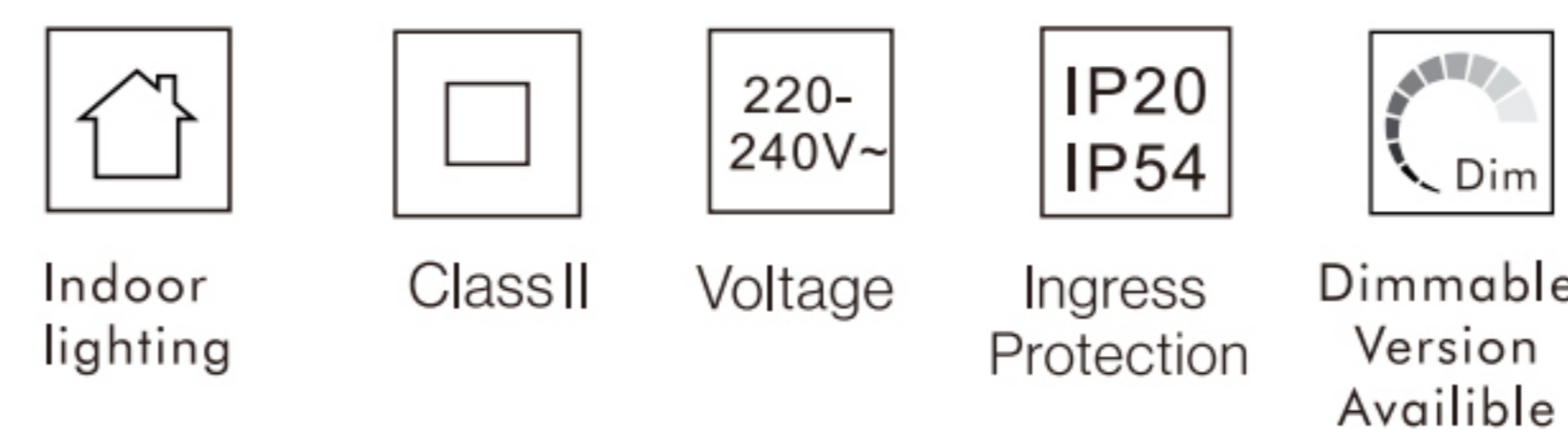


8601-SE-T120050-H

Hyperelliptic

Power	24W/28W
Beam angle	24° /36° /50°
CCT	2700K/3000K/3500K/4000K
Light source	COB
Light efficiency	100-110LM/W
UGR	<17
CRI	>90
Power supply	DC36V 700mA
Operating temperature	-15°C-45°C

CE RoHS CB (CCC)



### Dimming Options

1	Non-DIM
2	TRIAC
3	0/1-10V
4	DALI
5	Bluetooth



### Surfaces

#### materials

Aluminium + PC

#### heatsink colors

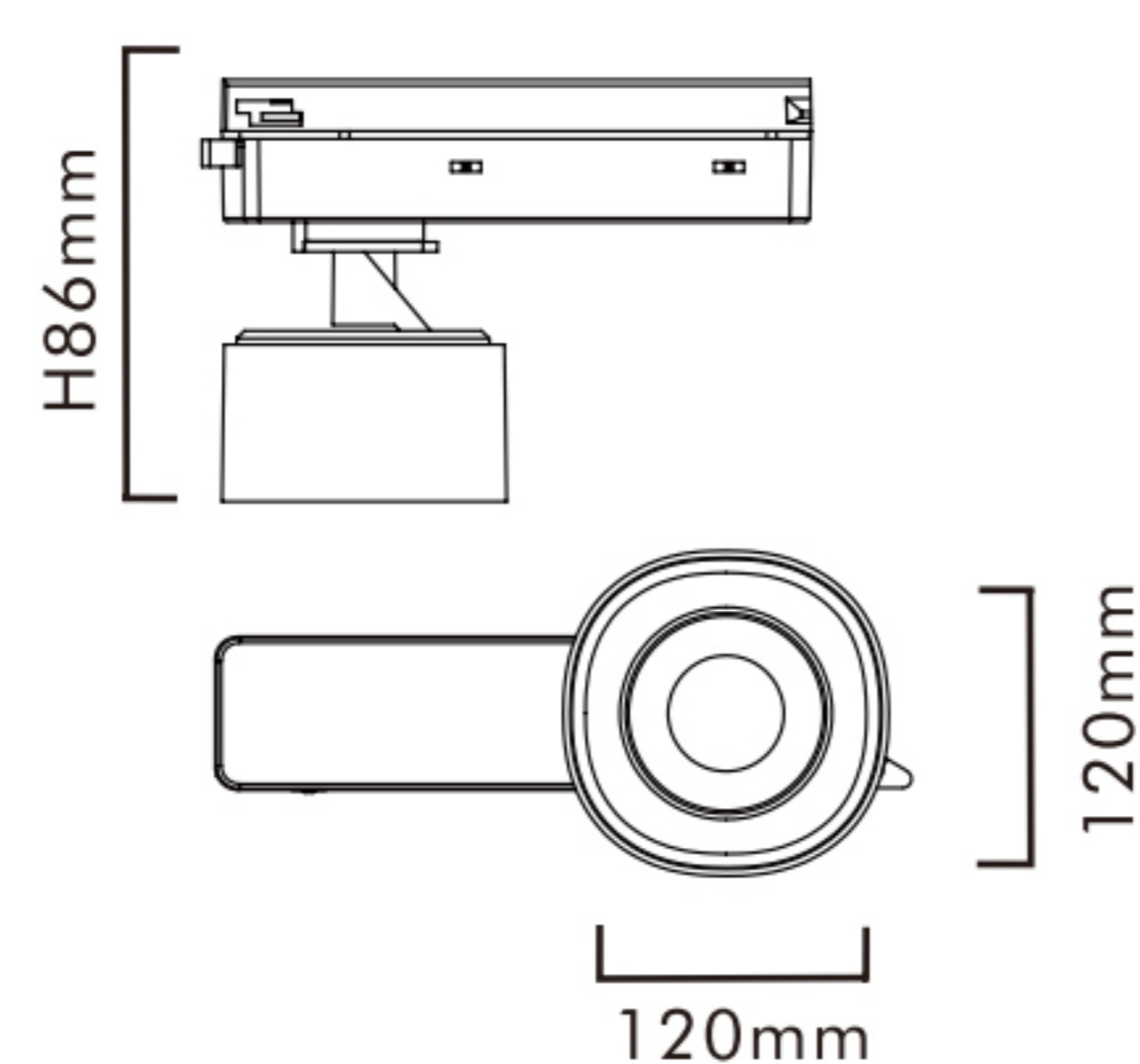
Moon White Mineral Gold

Star Grey Polar Black

#### surface shade

Translucent

### Dimensions



### Performance

h(m)	E(lx)	D(m)
1		
2		
3		
4		

4000K 24W 24°

h(m)	E(lx)	D(m)
1	5836	0.69
2	1459	1.37
3	648	2.06
4	364	2.74

4000K 24W 36°

h(m)	E(lx)	D(m)
1	3134	1.07
2	784	2.14
3	348	3.21
4	196	4.28

4000K 24W 50°

for further lighting effects refer to updates photometric and IES files.



project-driven interior lighting solution provider