

Modulayer

Surface mounted luminaires series

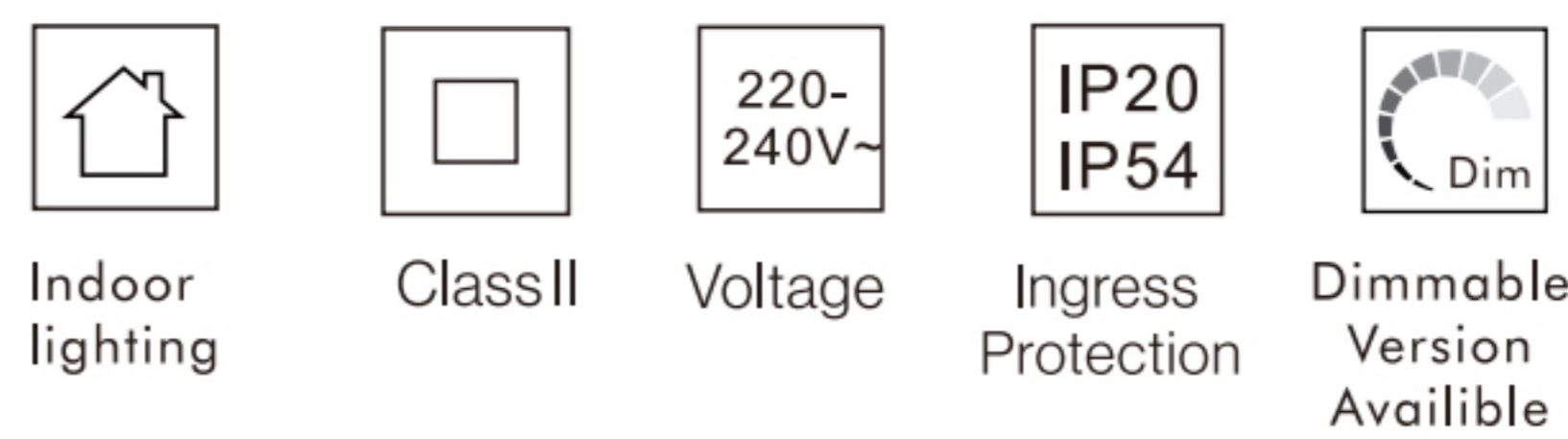


8601-SE-T095047-H1

Hyperelliptic

Power	16W/20W
Beam angle	24° /36° /50°
CCT	2700K/3000K/3500K/4000K
Light source	COB
Light efficiency	100-110LM/W
UGR	<17
CRI	>90
Power supply	DC36V 400mA
Operating temperature	-15°C-45°C

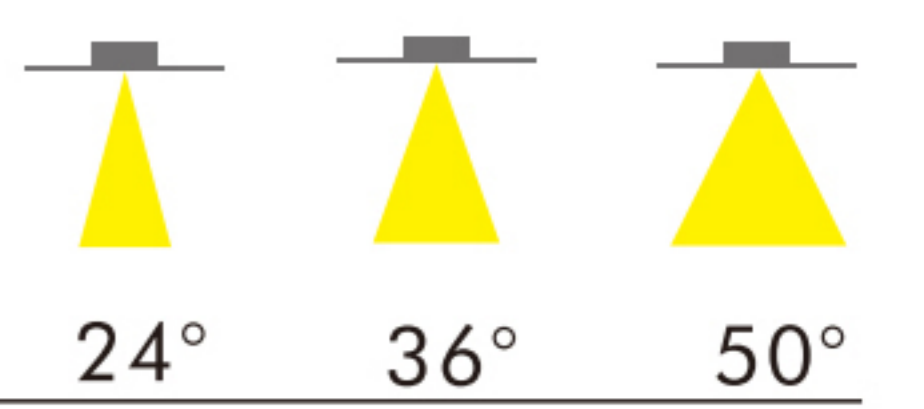
CE RoHS CB CCC



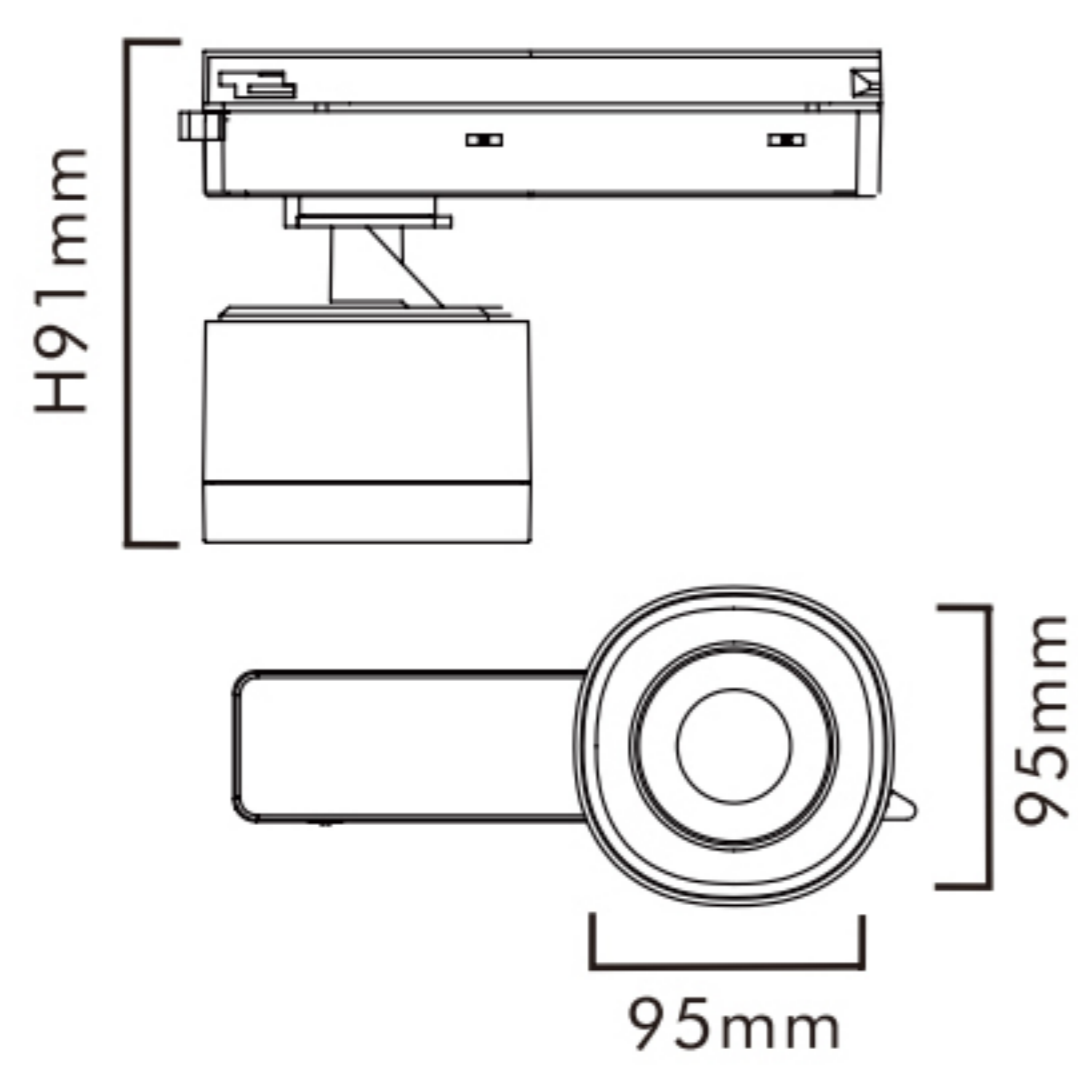
Dimming Options

1	Non-DIM
2	TRIAC
3	0/1-10V
4	DALI
5	Bluetooth

Beam Angles



Dimensions



Surfaces

materials

Aluminium + PC

heatsink colors

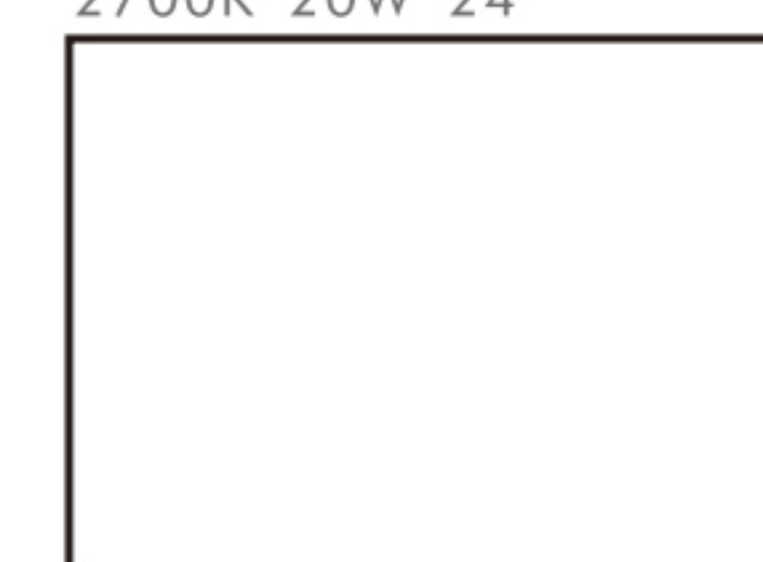
Moon White Mineral Gold
 Star Grey Polar Black

surface shade

Translucent

Performance

2700K 20W 24°



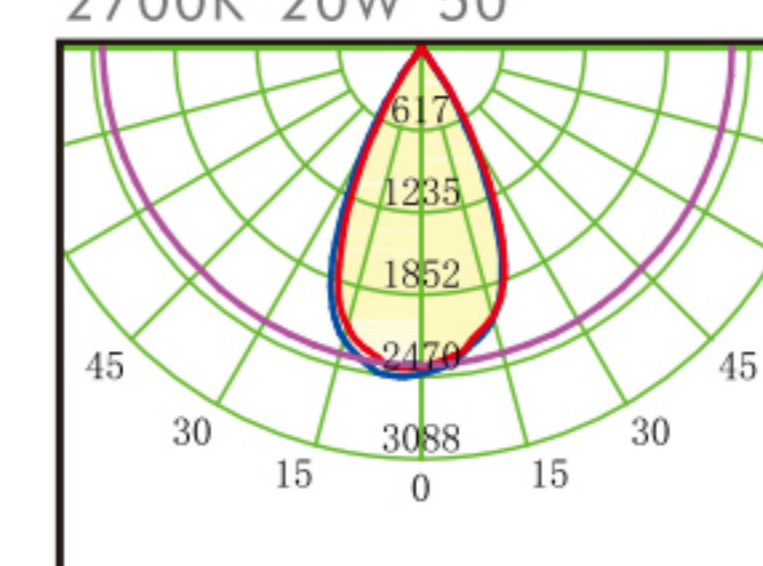
h(m)	E(lx)	D(m)
1		
2		
3		
4		

2700K 20W 36°



h(m)	E(lx)	D(m)
1		
2		
3		
4		

2700K 20W 50°



h(m)	E(lx)	D(m)
1	2447	0.97
2	611	1.95
3	271	2.92
4	152	3.90

for further lighting effects refer to updates photometric and IES files.



project-driven interior lighting solution provider