

Modulayer

Surface mounted luminaires series

Surface

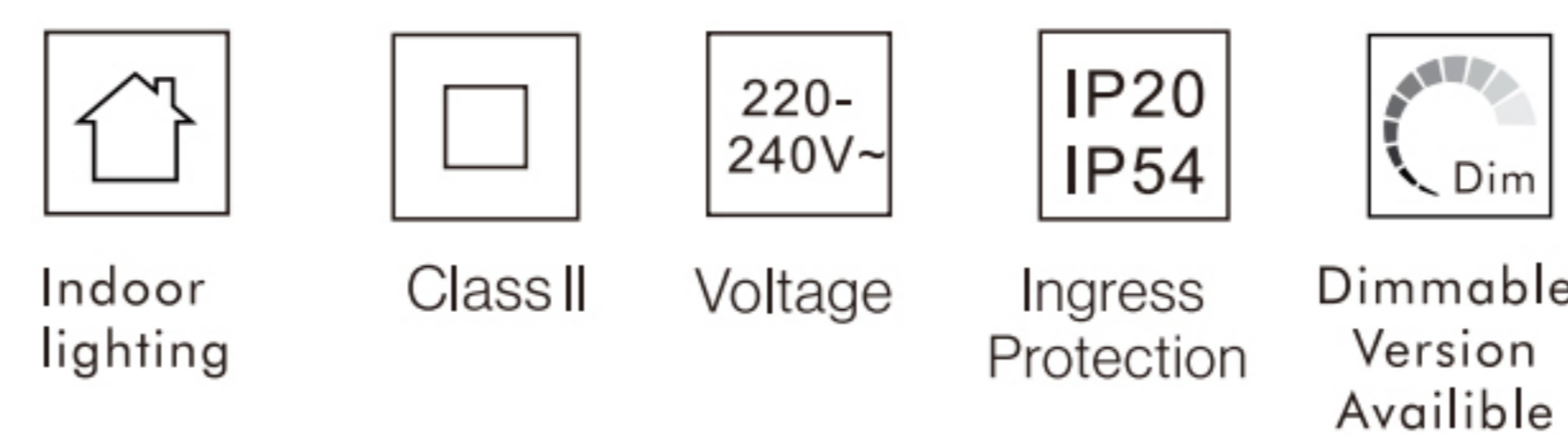


8601-SE-T095047-H

Hyperelliptic

Power	16W/20W
Beam angle	24° /36° /50°
CCT	2700K/3000K/3500K/4000K
Light source	COB
Light efficiency	100-110LM/W
UGR	<17
CRI	>90
Power supply	DC36V 400mA
Operating temperature	-15°C-45°C

CE RoHS CB (CCC)



Dimming Options

1	Non-DIM
2	TRIAC
3	0/1-10V
4	DALI
5	Bluetooth



Surfaces

materials

Aluminium + PC

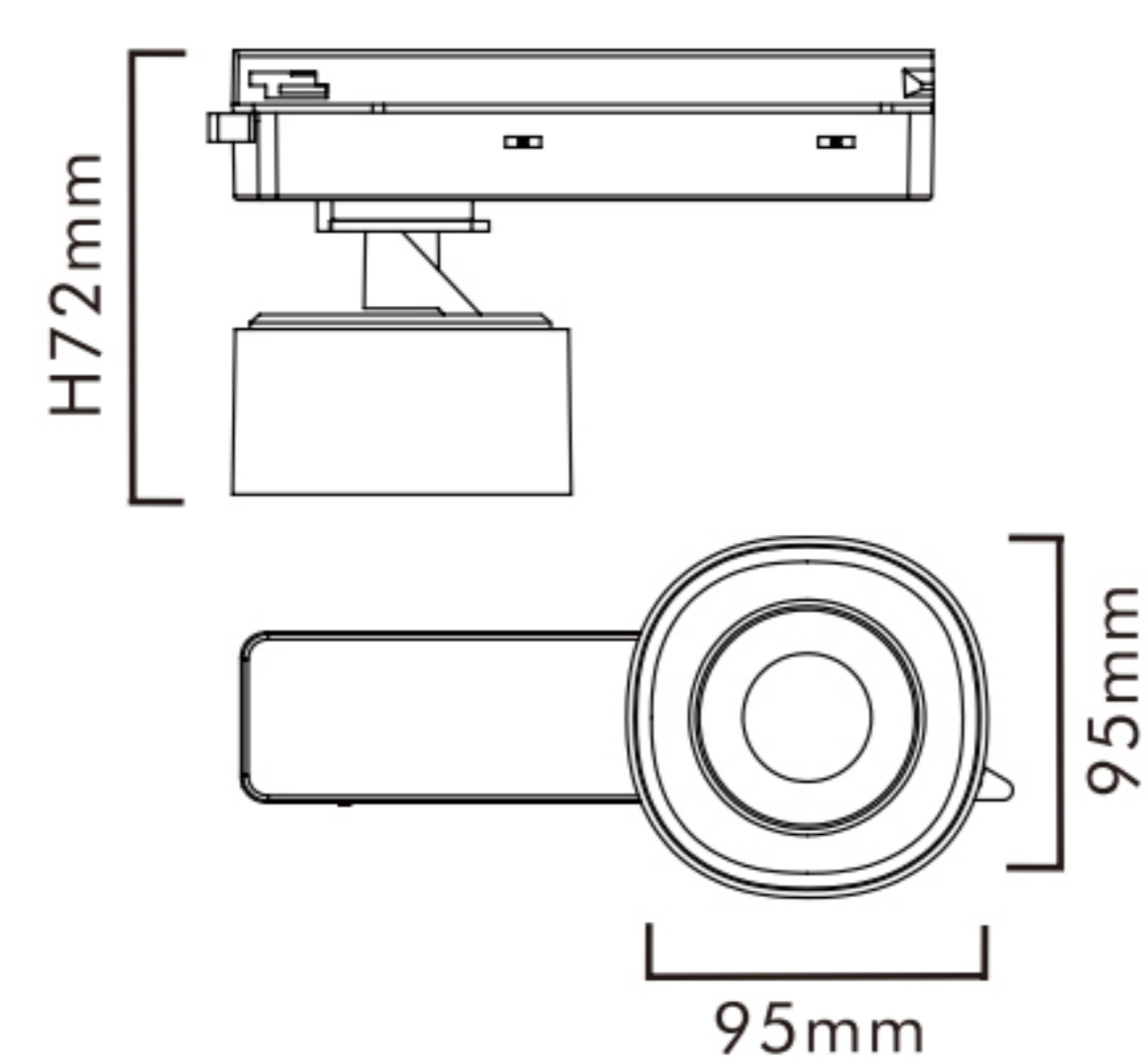
heatsink colors

Moon White Mineral Gold

Star Grey Polar Black

surface shade

Translucent



Dimensions

Performance

2700K 20W 24°			
h(m)	E(lx)	D(m)	
1			
2			
3			
4			

2700K 20W 36°			
h(m)	E(lx)	D(m)	
1			
2			
3			
4			

2700K 20W 50°			
h(m)	E(lx)	D(m)	
1	2304	1.00	
2	576	2.99	
3	256	3.99	
4	144	4.99	

for further lighting effects refer to updates photometric and IES files.



project-driven interior lighting solution provider