

Modulayer

Surface mounted luminaires series

Surface

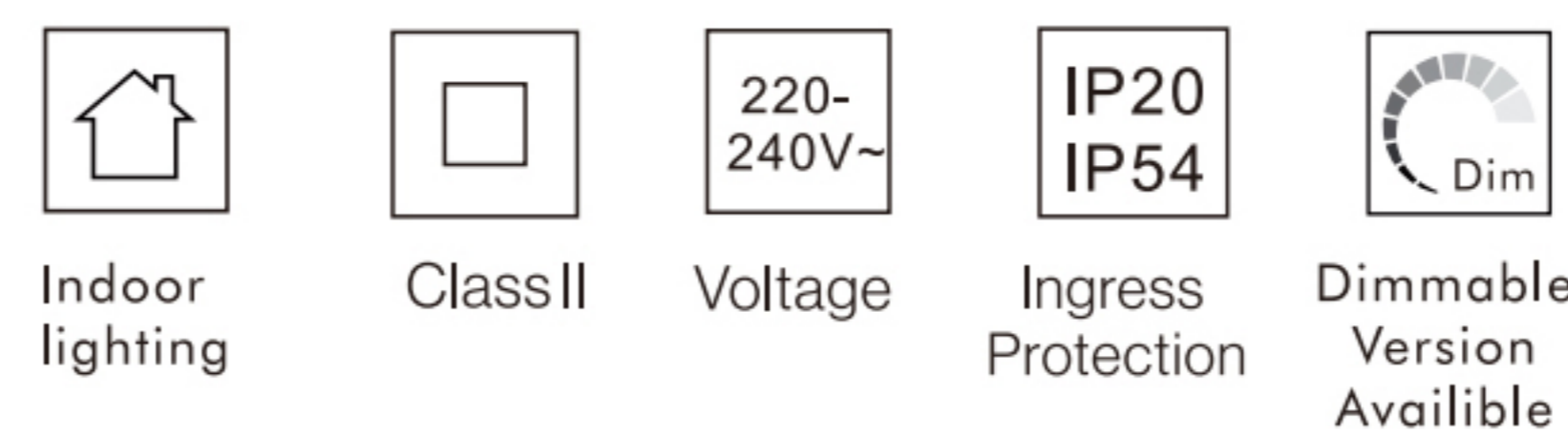


8601-SE-T072040-A-H

Hyperelliptic

Power	10W/12W
Beam angle	24° /36° /50°
CCT	2700K/3000K/3500K/4000K
Light source	COB
Light efficiency	100-110LM/W
UGR	<17
CRI	>90
Power supply	DC36V 230mA
Operating temperature	-15°C-45°C

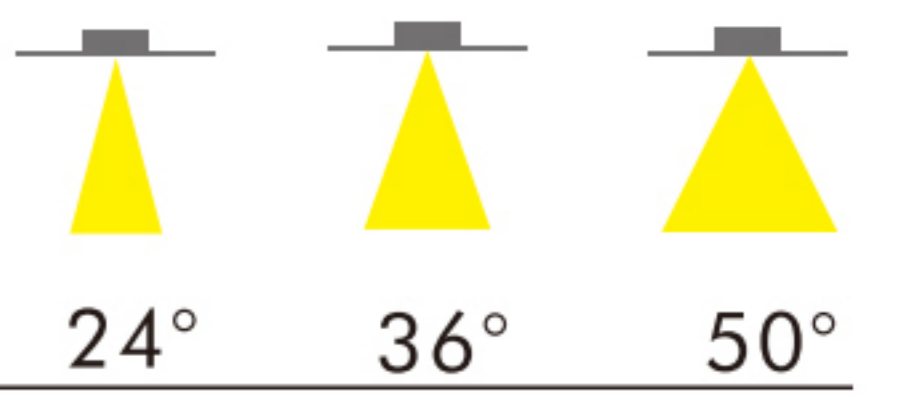
CE RoHS CB CCC



Dimming Options

1	Non-DIM
2	TRIAC
3	0/1-10V
4	DALI
5	Bluetooth

Beam Angles



Surfaces

materials

Aluminium + PC

heatsink colors

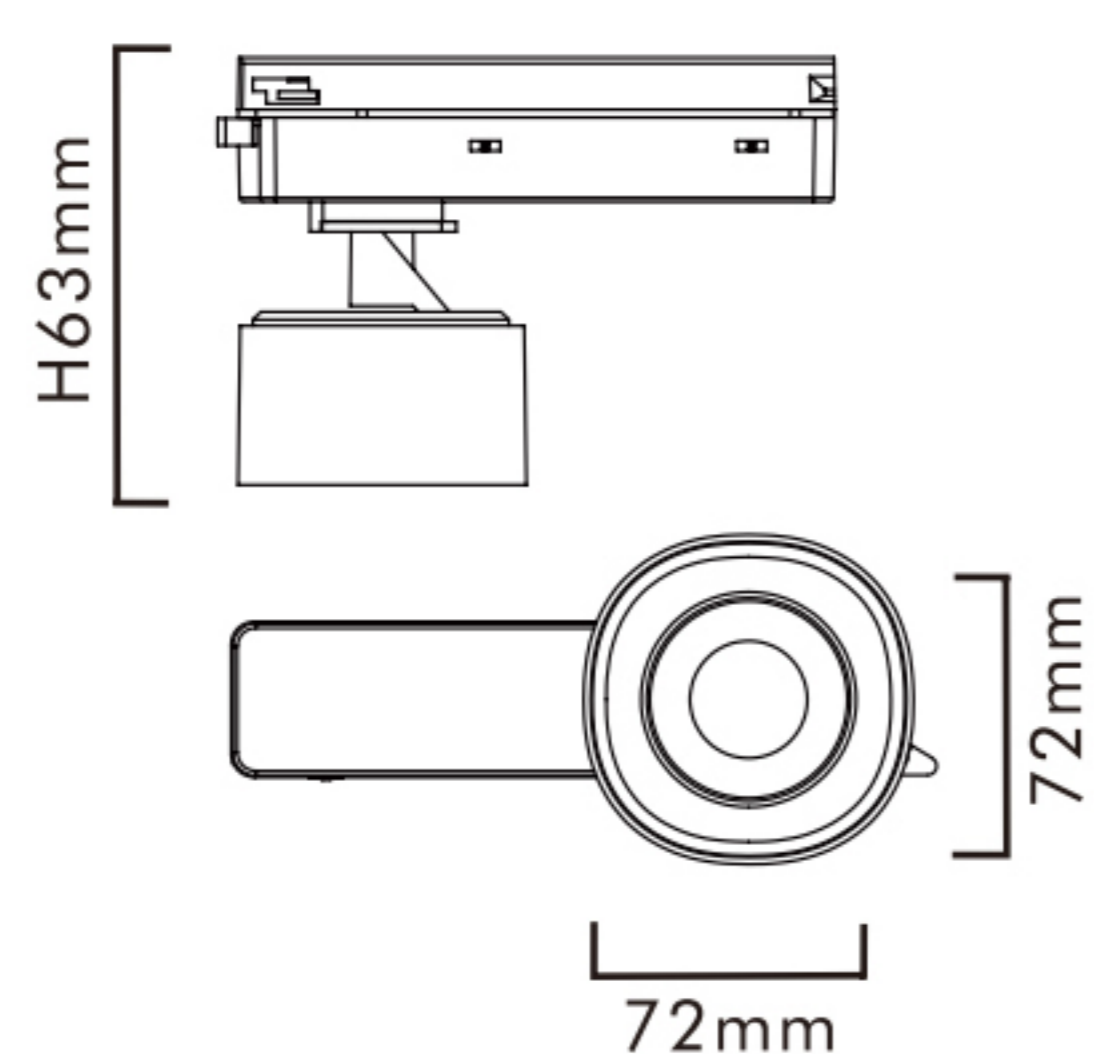
Moon White  Mineral Gold 

Star Grey  Polar Black 

surface shade

Translucent

Dimensions



Performance

4000K 10W 24°

h(m)	E(lx)	D(m)
1		
2		
3		
4		

4000K 10W 36°

h(m)	E(lx)	D(m)
1	2844	0.62
2	711	1.24
3	316	1.85
4	178	2.47

4000K 10W 50°

h(m)	E(lx)	D(m)
1	1211	1.08
2	303	2.05
3	135	3.32
4	76	4.30

for further lighting effects refer to updates photometric and IES files.



project-driven interior lighting solution provider