

# Modulayer

## recessed luminaires series

Downlight

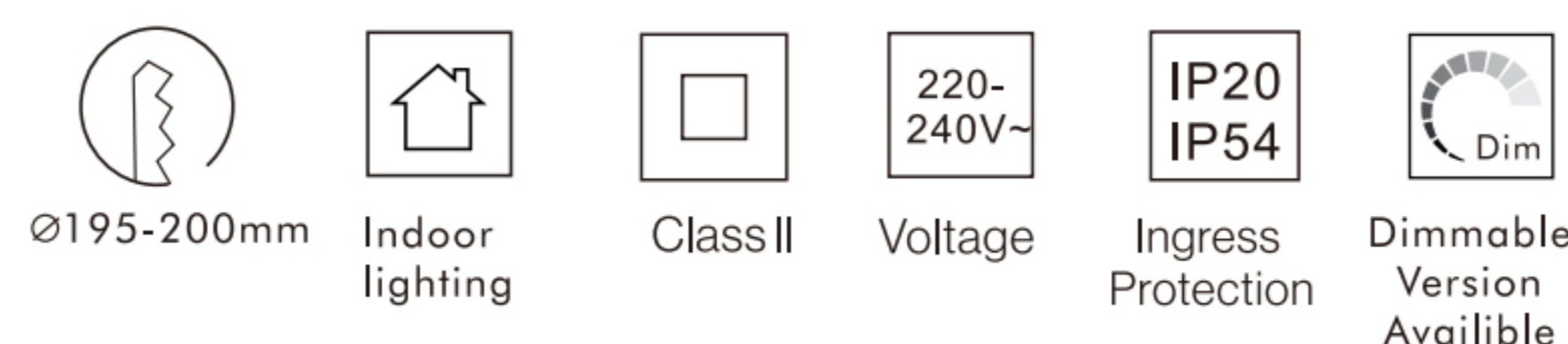


8601-SE-Q-200-H

Hyperelliptic

Power	40W
Beam angle	50°
CCT	2700K/3000K/3500K/4000K
Light source	COB
Light efficiency	100-110LM/W
UGR	<17
CRI	>90
Power supply	DC36V 1050mA
Operating temperature	-15°C-45°C

CE RoHS CB CCC



### Dimming Options

1	Non-DIM
2	TRIAC
3	0/1-10V
4	DALI
5	Bluetooth

### Beam Angles



50°

### Surfaces

#### materials

Aluminium + PC

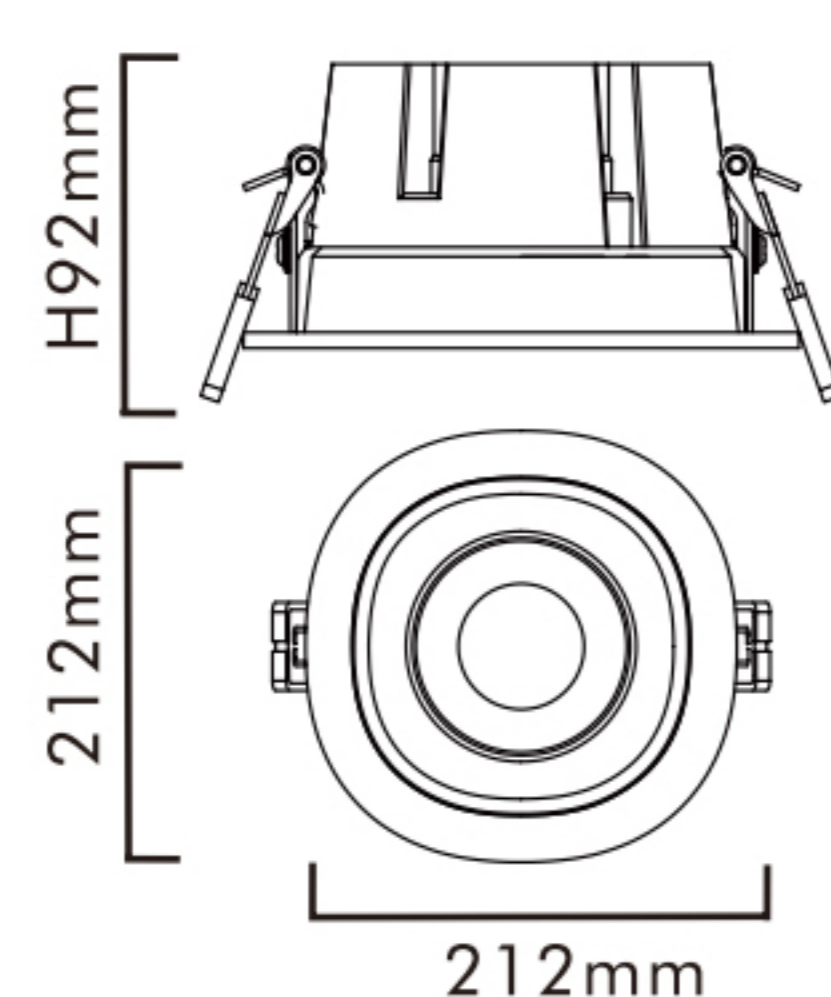
#### heatsink colors

Star Grey

#### surface shade

Translucent

### Dimensions



### Performance

4000K 40W 24°



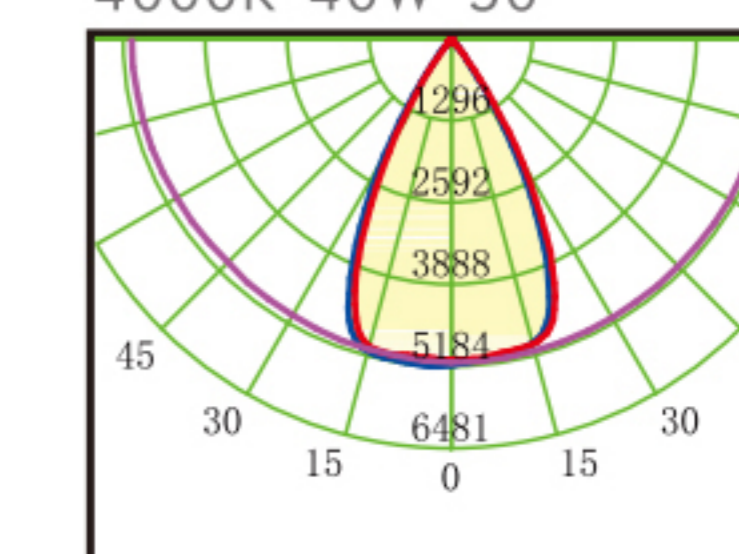
h(m)	E(lx)	D(m)
1		
2		
3		
4		

4000K 40W 36°



h(m)	E(lx)	D(m)
1		
2		
3		
4		

4000K 40W 50°



h(m)	E(lx)	D(m)
1	5160	1.07
2	1290	2.13
3	573	3.20
4	322	4.27

for further lighting effects refer to updates photometric and IES files.



project-driven interior lighting solution provider