

Modulayer

recessed luminaires series

Downlight

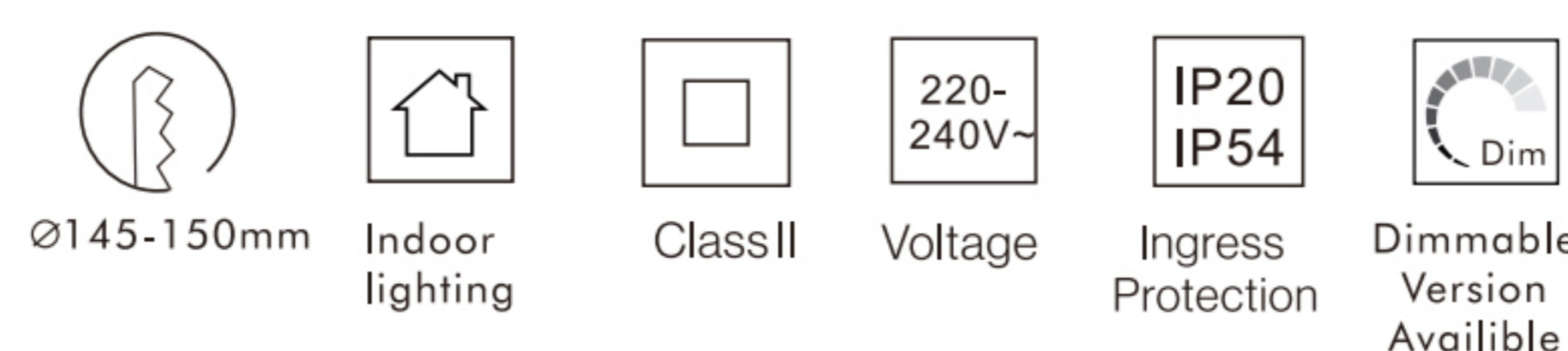


8601-SE-Q-150-H

Hyperelliptic

Power	25W
Beam angle	50°
CCT	2700K/3000K/3500K/4000K
Light source	COB
Light efficiency	100-110LM/W
UGR	<17
CRI	>90
Power supply	DC36V 600mA
Operating temperature	-15°C-45°C

CE RoHS CB CCC



Dimming Options

1	Non-DIM
2	TRIAC
3	0/1-10V
4	DALI
5	Bluetooth

Beam Angles



50°

Surfaces

materials

Aluminium + PC

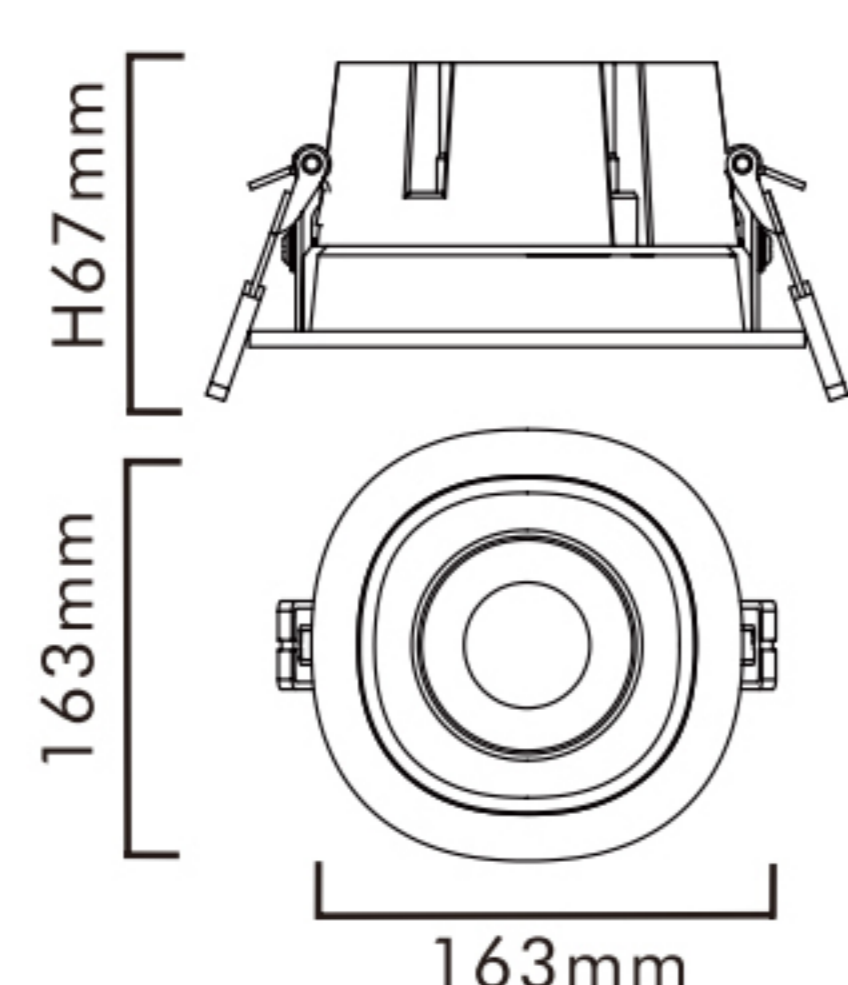
heatsink colors

Star Grey

surface shade

Translucent

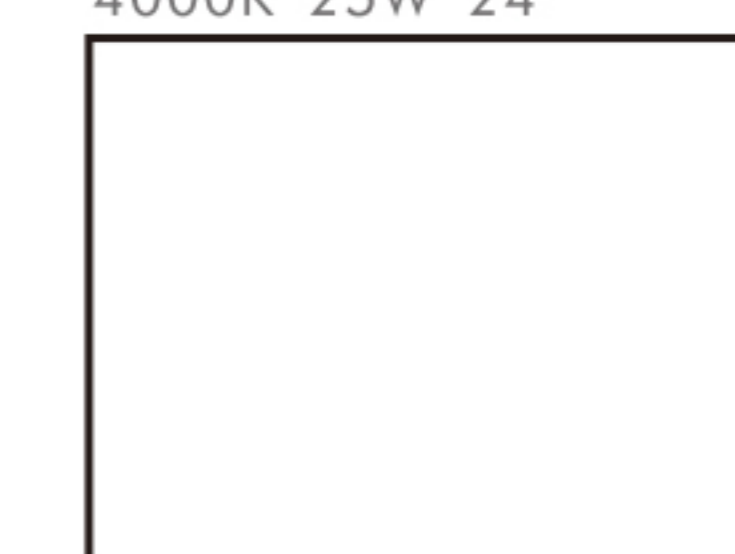
Dimensions



project-driven interior lighting solution provider

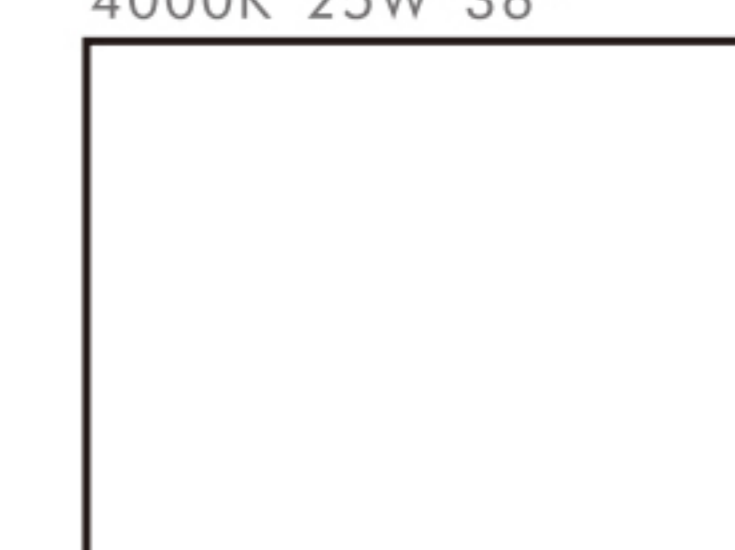
Performance

4000K 25W 24°



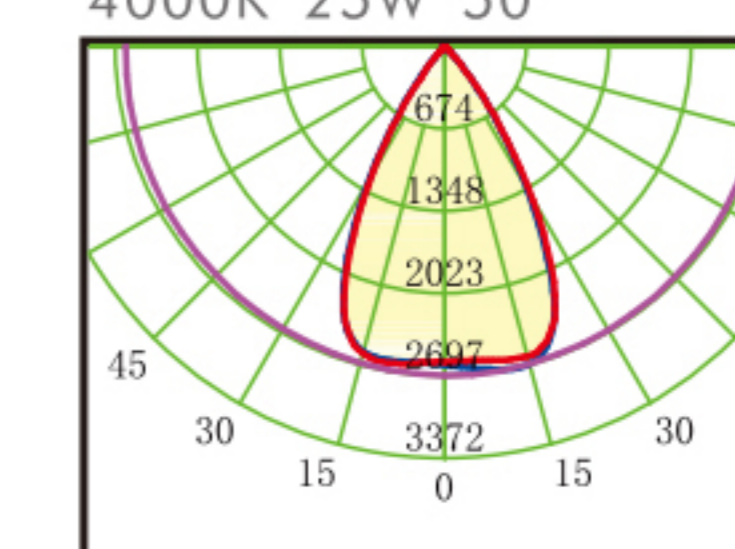
h(m)	E(lx)	D(m)
1		
2		
3		
4		

4000K 25W 36°



h(m)	E(lx)	D(m)
1		
2		
3		
4		

4000K 25W 50°



h(m)	E(lx)	D(m)
1	2609	1.14
2	652	2.28
3	290	3.42
4	163	4.55

for further lighting effects refer to updates photometric and IES files.