

Modulayer

recessed luminaires series

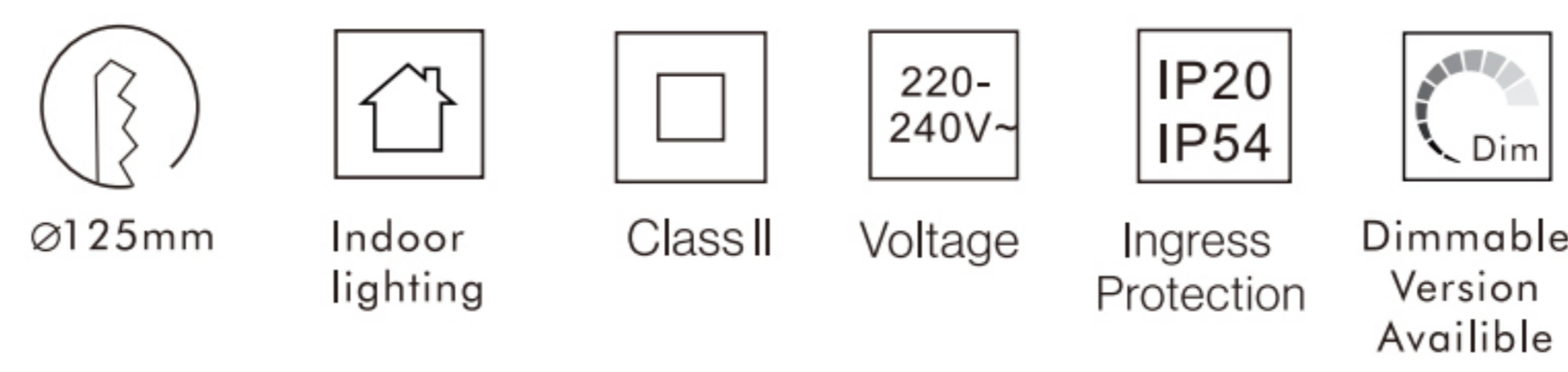


8601-SE-Q-125-H1

Hyperelliptic

Power	20W
Beam angle	24° /36° /50°
CCT	2700K/3000K/3500K/4000K
Light source	COB
Light efficiency	100-110LM/W
UGR	<17
CRI	>90
Power supply	DC36V 500mA
Operating temperature	-15°C-45°C

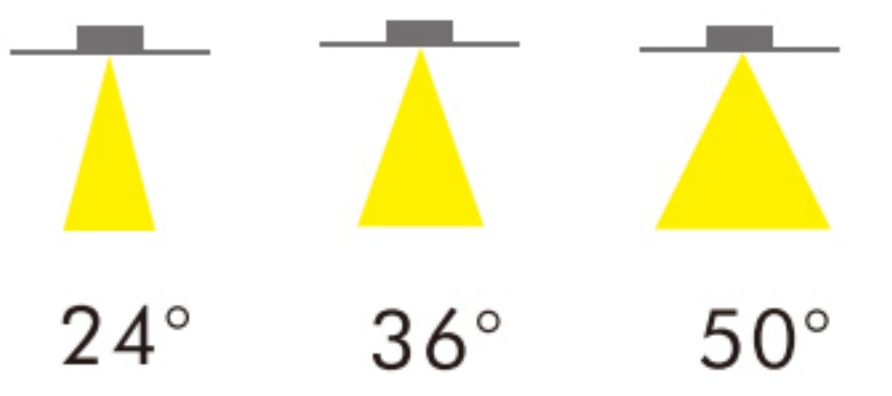
CE RoHS CB CCC



Dimming Options

1	Non-DIM
2	TRIAC
3	0/1-10V
4	DALI
5	Bluetooth

Beam Angles



Surfaces

materials

Aluminium + PC

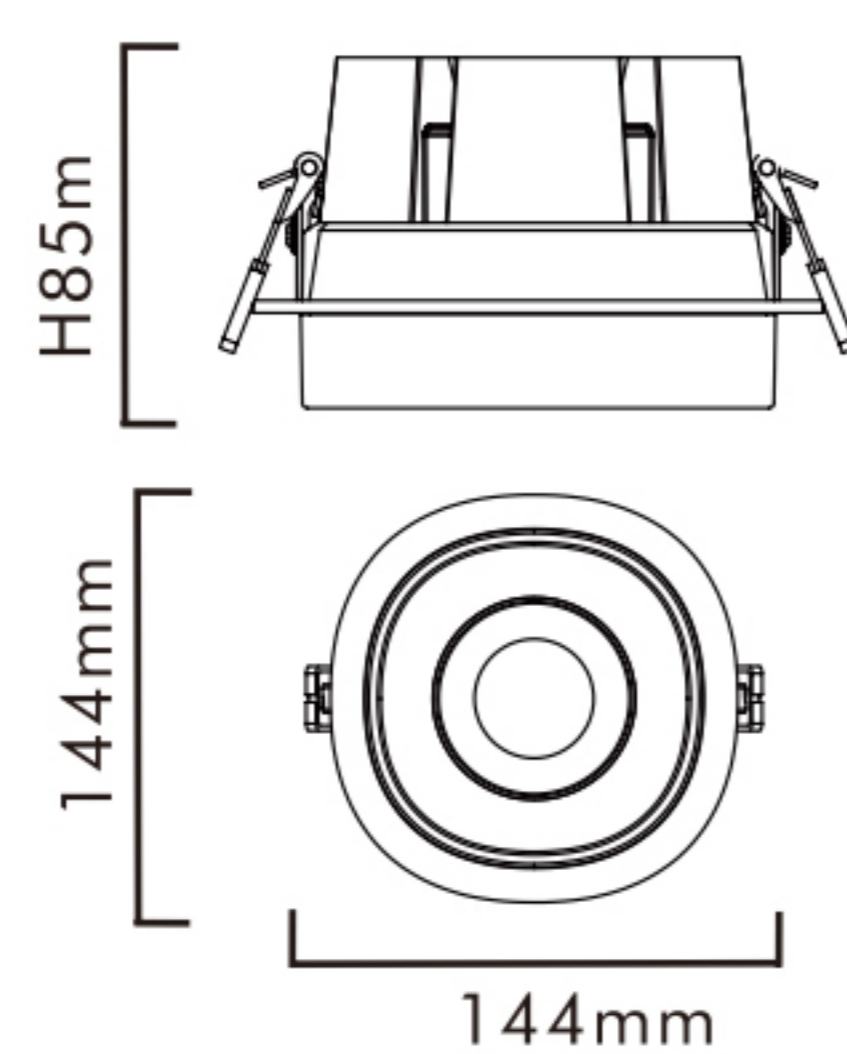
heatsink colors

Star Grey

surface shade

Translucent

Dimensions



Performance

3000K 20W 24°

h(m)	E(lx)	D(m)
1		
2		
3		
4		

3000K 20W 36°

h(m)	E(lx)	D(m)
1		
2		
3		
4		

3000K 20W 50°

h(m)	E(lx)	D(m)
1	2773	1.11
2	693	2.22
3	308	3.33
4	173	4.44

for further lighting effects refer to updates photometric and IES files.



project-driven interior lighting solution provider