

Modulayer

recessed luminaires series

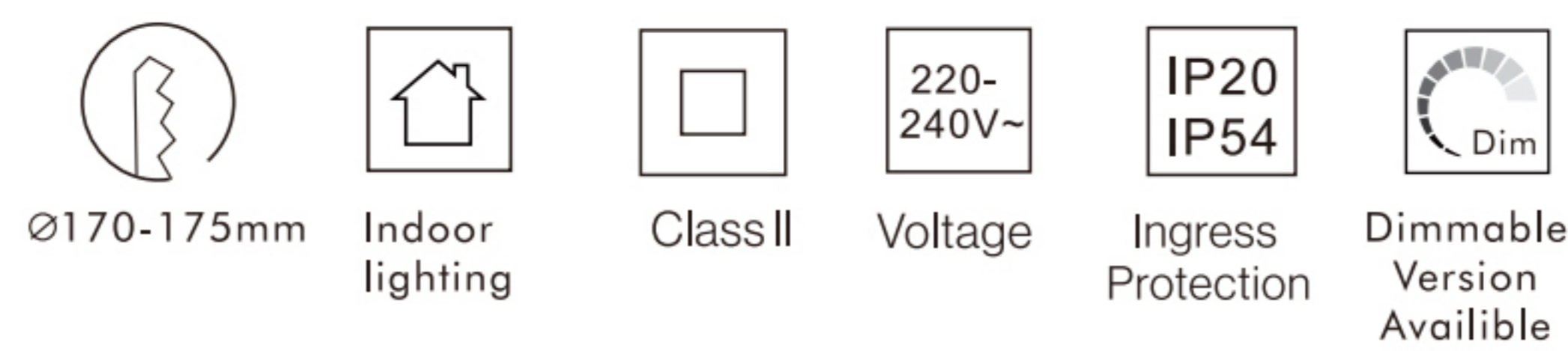


8601-R-Q-175-H

Round

Power	30W
Beam angle	50°
CCT	2700K/3000K/3500K/4000K
Light source	COB
Light efficiency	100-110LM/W
UGR	<17
CRI	>90
Power supply	DC36V 750mA
Operating temperature	-15°C-45°C

CE RoHS CB CCC



Dimming Options

1	Non-DIM
2	TRIAC
3	0/1-10V
4	DALI
5	Bluetooth

Beam Angles



Surfaces

materials

Aluminium + PC

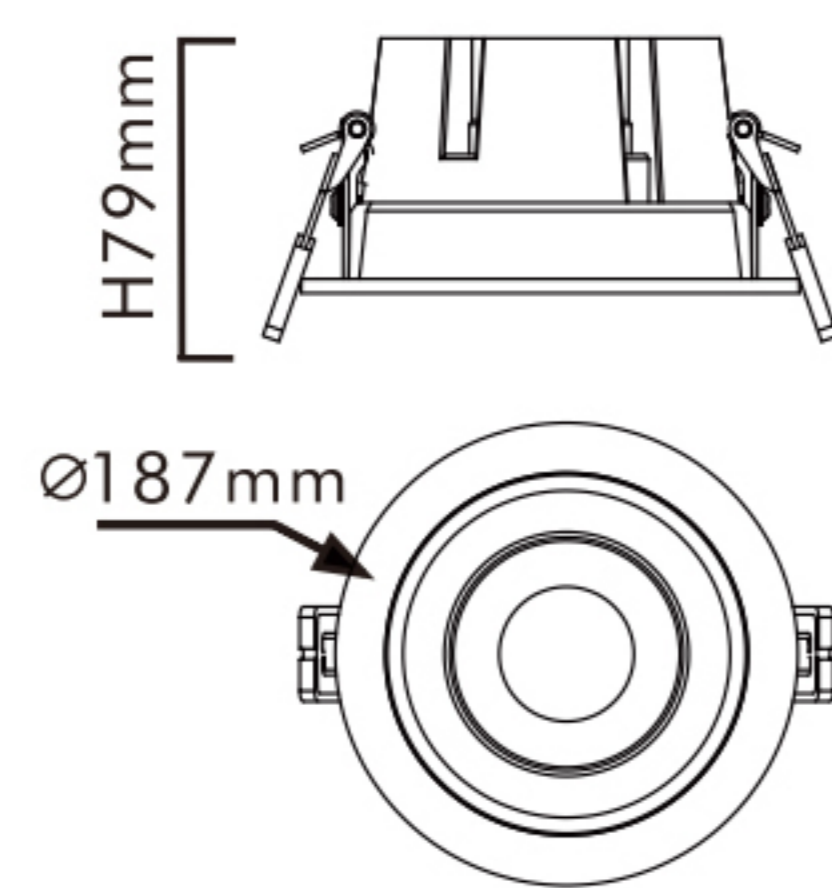
heatsink colors

Star Grey

surface shade

Translucent

Dimensions



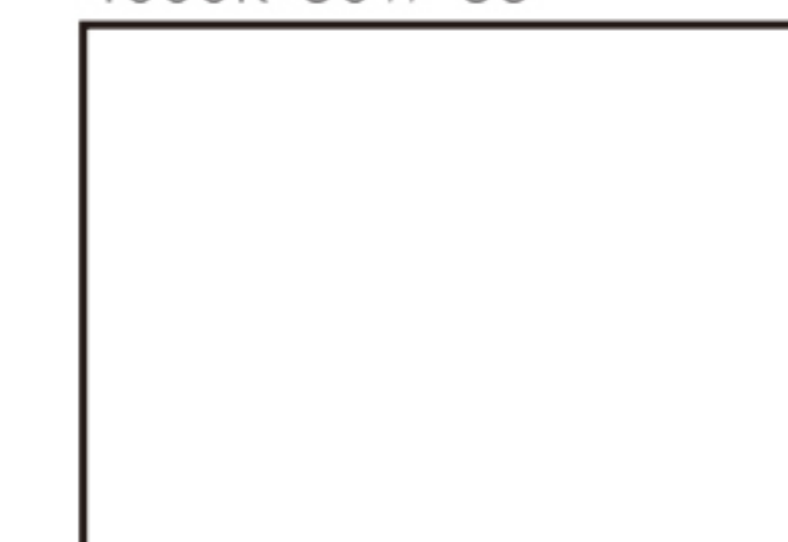
Performance

4000K 30W 24°



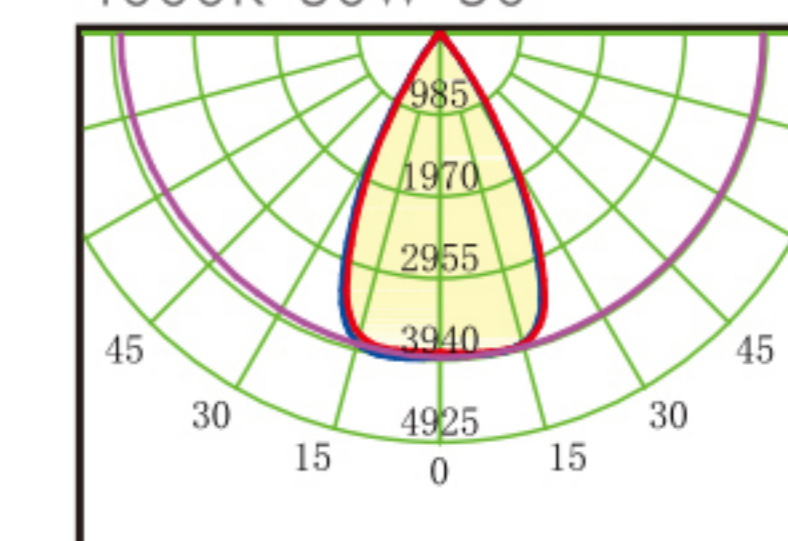
h(m)	E(lx)	D(m)
1		
2		
3		
4		

4000K 30W 36°



h(m)	E(lx)	D(m)
1		
2		
3		
4		

4000K 30W 50°



h(m)	E(lx)	D(m)
1	3893	1.06
2	973	2.13
3	432	3.19
4	243	4.26



project-driven interior lighting solution provider

for further lighting effects refer to updates photometric and IES files.