

Modulayer

recessed luminaires series

Downlight

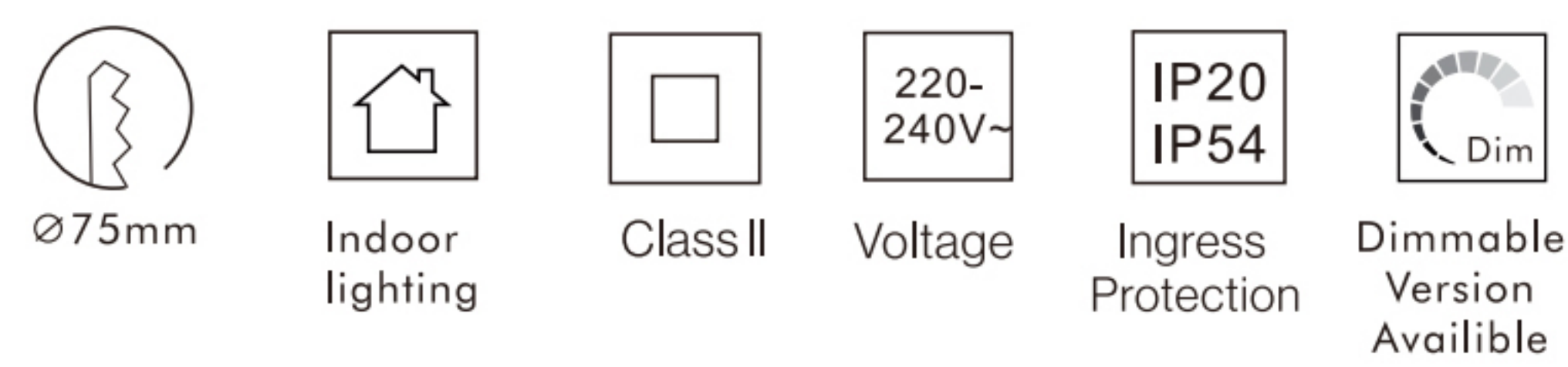


8601-SE-Q-75-H1

Hyperelliptic

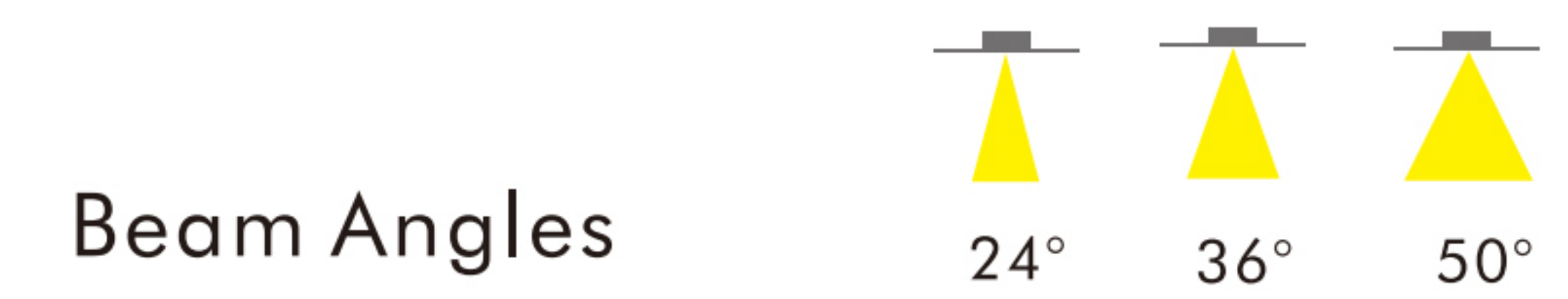
Power	10W
Beam angle	24° /36° /50°
CCT	2700K/3000K/3500K/4000K
Light source	COB
Light efficiency	100-110LM/W
UGR	< 17
CRI	> 90
Power supply	DC36V 230mA
Operating temperature	-15°C-45°C

CE RoHS CB CCC



Dimming Options

1	Non-DIM
2	TRIAC
3	0/1-10V
4	DALI
5	Bluetooth



Beam Angles

24° 36° 50°

Surfaces

materials

Aluminium + PC

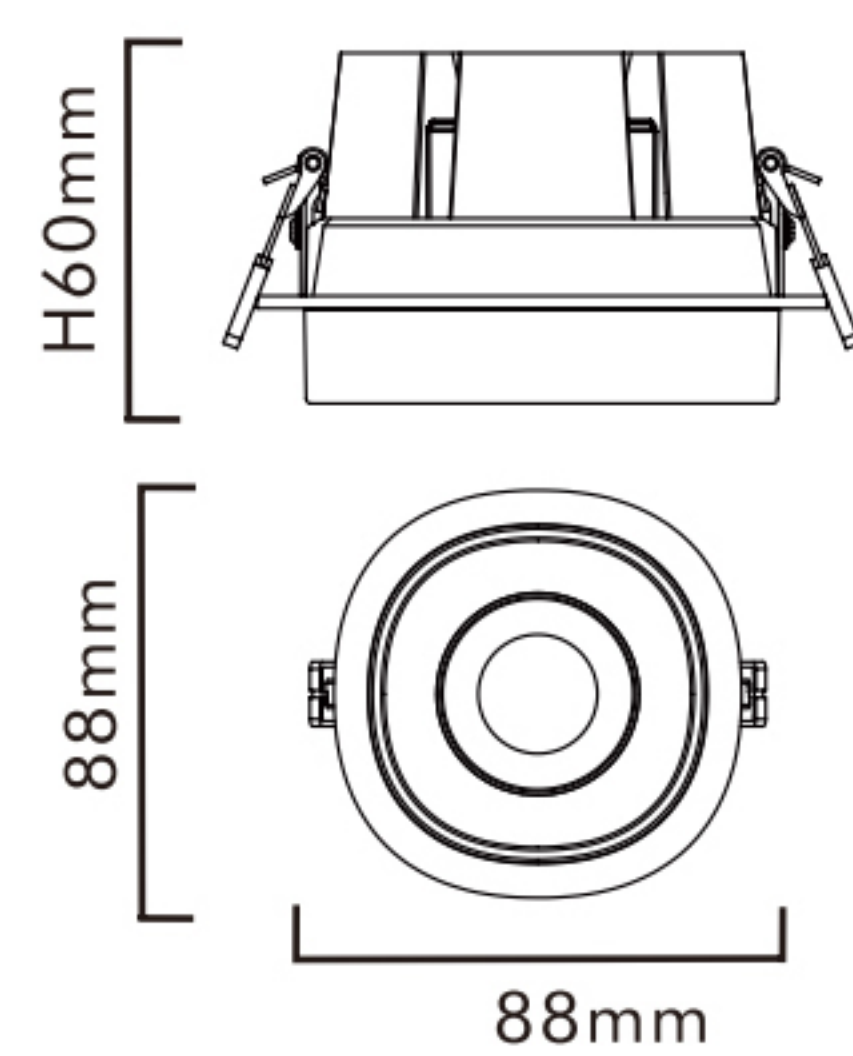
heatsink colors

Star Grey

surface shade

Translucent

Dimensions



project-driven interior lighting solution provider

Performance

4000K 10W 24°	h(m)	E(lx)	D(m)
	1		
	2		
	3		
	4		

4000K 10W 36°	h(m)	E(lx)	D(m)
	1	2709	0.63
	2	677	1.27
	3	301	1.09
	4	170	2.53

4000K 10W 50°	h(m)	E(lx)	D(m)
	1	1240	1.06
	2	310	2.12
	3	137	3.18
	4	77	4.24

for further lighting effects refer to updates photometric and IES files.