

# Modulayer

## recessed luminaires series

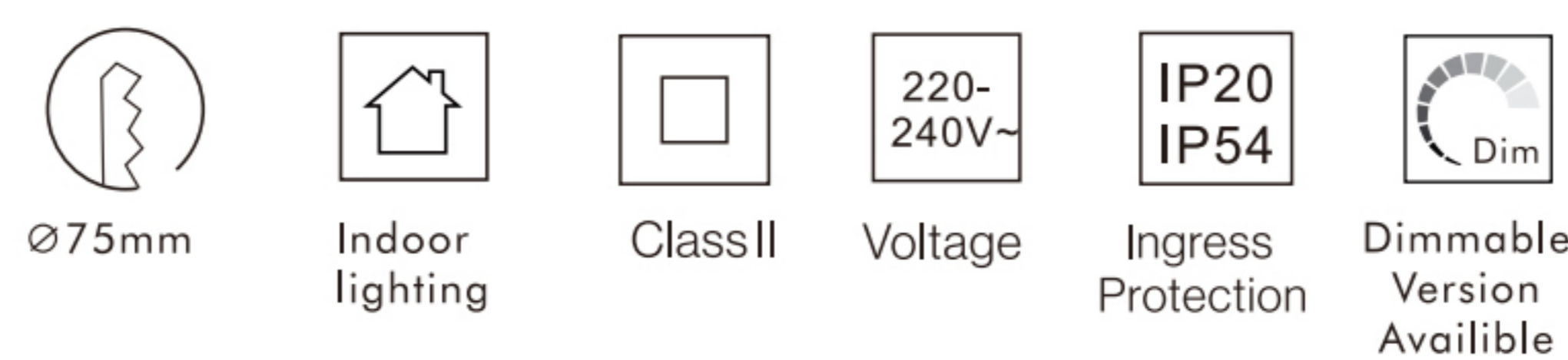


8601-SE-Q-75-H

Hyperelliptic

Power	10W
Beam angle	24° /36° /50°
CCT	2700K/3000K/3500K/4000K
Light source	COB
Light efficiency	100-110LM/W
UGR	<17
CRI	>90
Power supply	DC36V 230mA
Operating temperature	-15°C-45°C

CE RoHS CB CCC



### Dimming Options

1	Non-DIM
2	TRIAC
3	0/1-10V
4	DALI
5	Bluetooth



### Surfaces

#### materials

Aluminium + PC

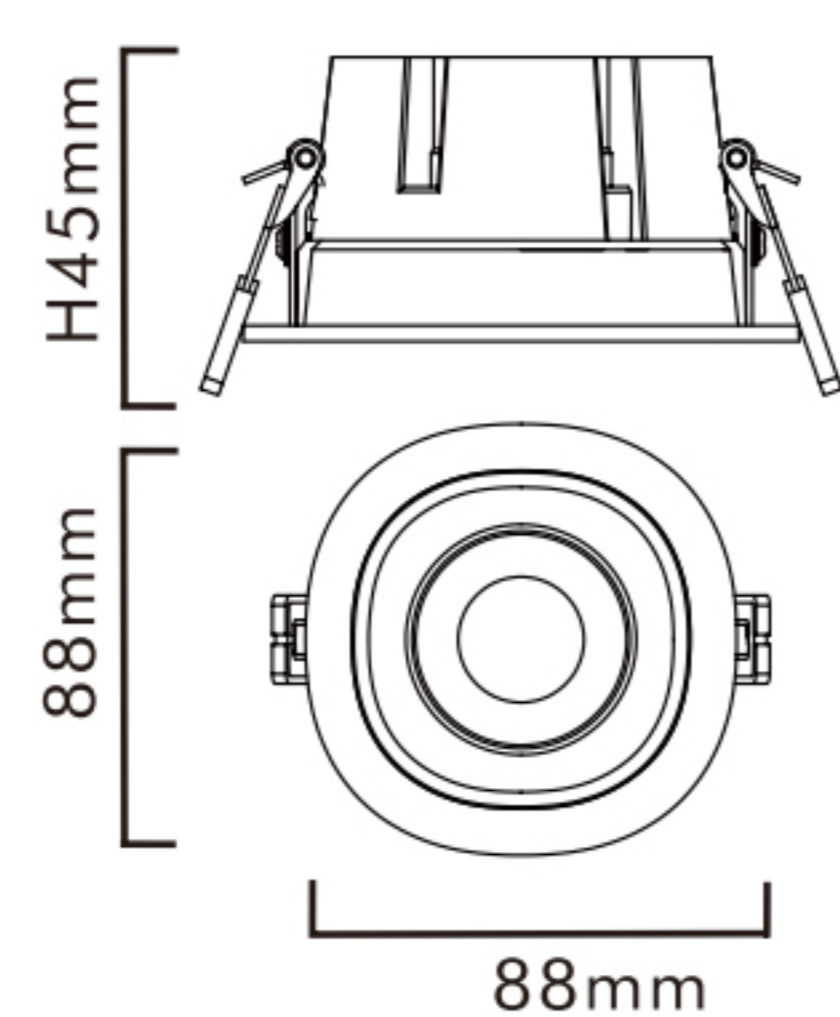
#### heatsink colors

Star Grey

#### surface shade

Translucent

### Dimensions



### Performance

4000K 10W 24°		h(m)	E(lx)	D(m)
		1		
		2		
		3		
		4		

4000K 10W 36°		h(m)	E(lx)	D(m)
		1	2709	0.63
		2	677	1.27
		3	301	1.09
		4	170	2.53

4000K 10W 50°		h(m)	E(lx)	D(m)
		1	1240	1.06
		2	310	2.12
		3	137	3.18
		4	77	4.24

for further lighting effects refer to updates photometric and IES files.



project-driven interior lighting solution provider