

# Modulayer

## recessed luminaires series

Downlight

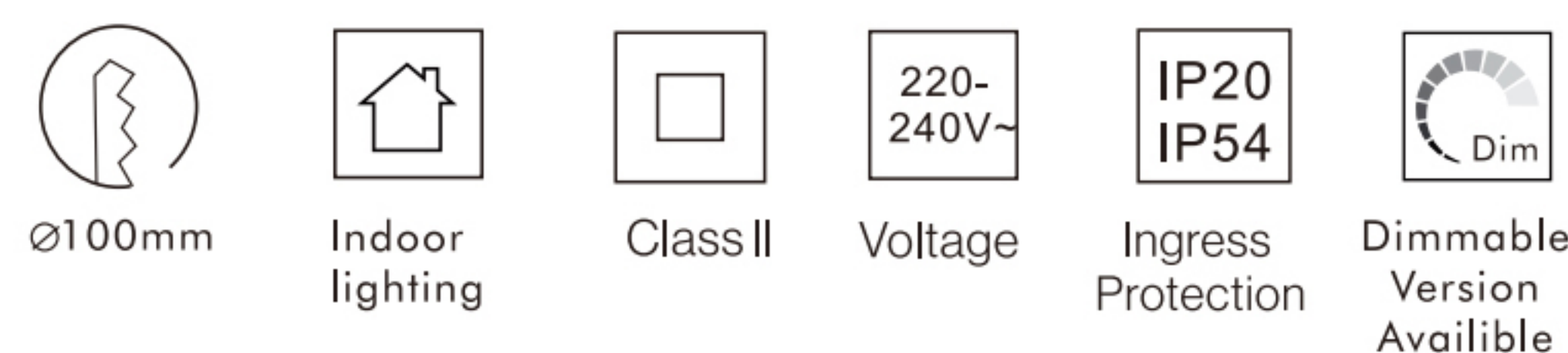


8601-SE-Q-100-H1

Hyperelliptic

Power	15W
Beam angle	24° /36° /50°
CCT	2700K/3000K/3500K/4000K
Light source	COB
Light efficiency	100-110LM/W
UGR	<17
CRI	>90
Power supply	DC36V 350mA
Operating temperature	-15°C-45°C

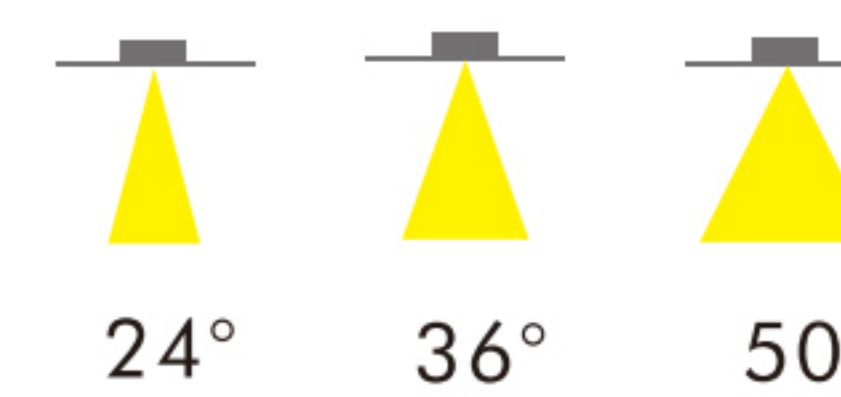
CE RoHS CB 



### Dimming Options

1	Non-DIM
2	TRIAC
3	0/1-10V
4	DALI
5	Bluetooth

### Beam Angles



24° 36° 50°

### Surfaces

#### materials

Aluminium + PC

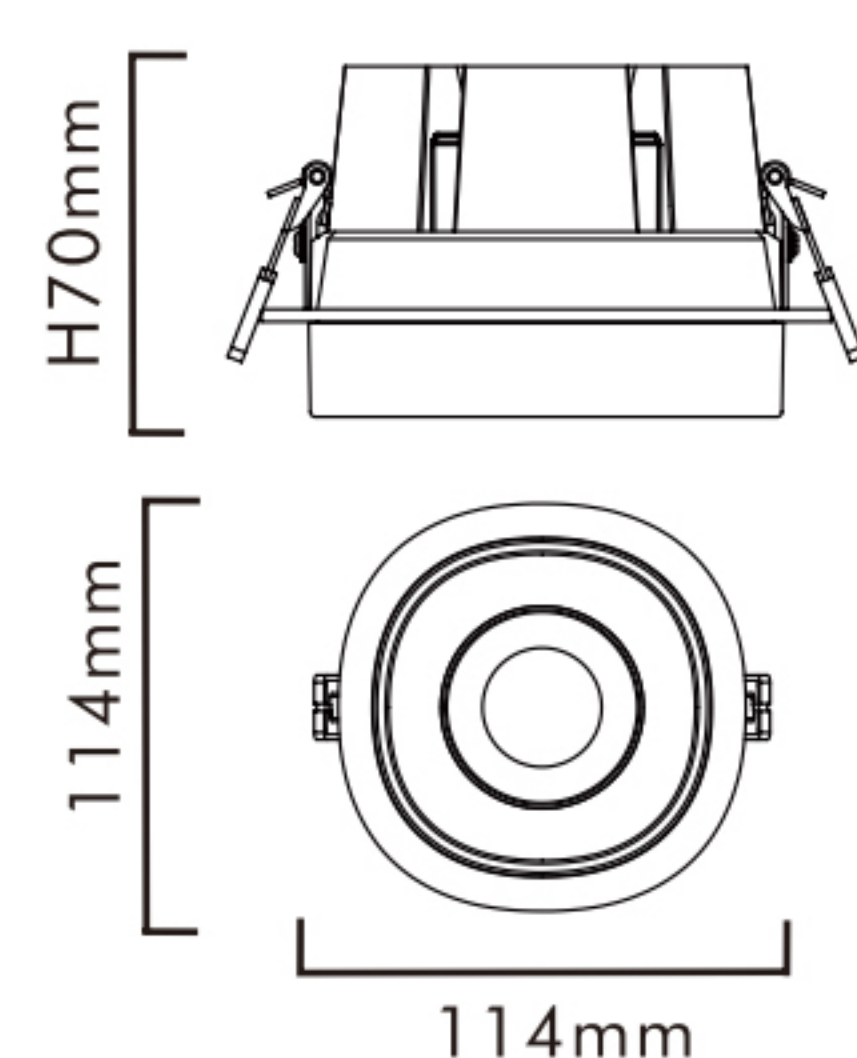
#### heatsink colors

Star Grey 

#### surface shade

Translucent

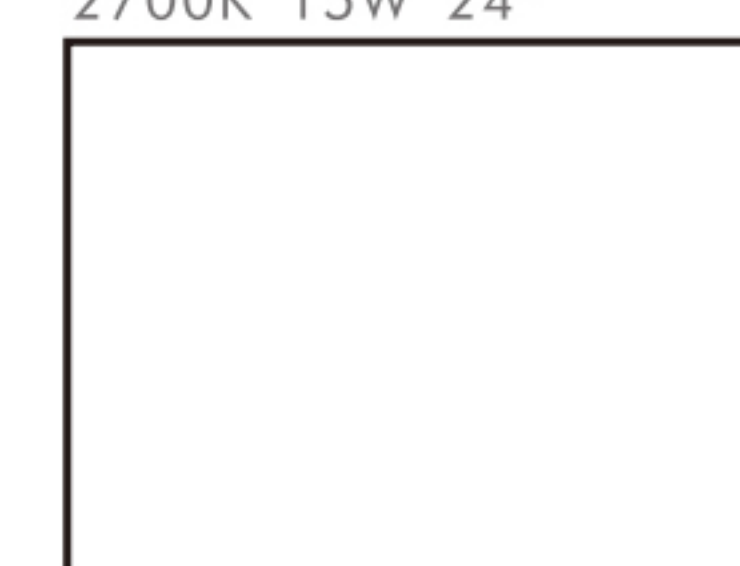
### Dimensions



project-driven interior lighting solution provider

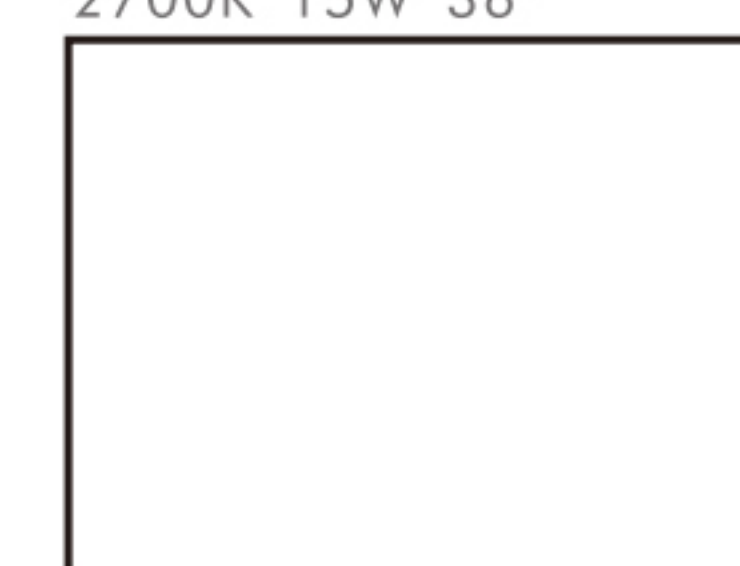
### Performance

2700K 15W 24°



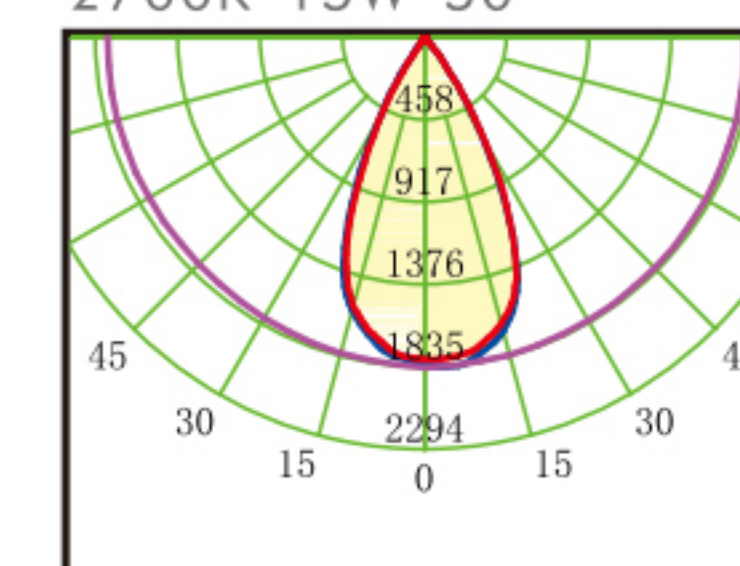
h(m)	E(lx)	D(m)
1		
2		
3		
4		

2700K 15W 36°



h(m)	E(lx)	D(m)
1		
2		
3		
4		

2700K 15W 50°



h(m)	E(lx)	D(m)
1	1822	0.98
2	455	0.96
3	202	2.94
4	113	3.92

for further lighting effects refer to updates photometric and IES files