

Modulayer

recessed luminaires series

Downlight

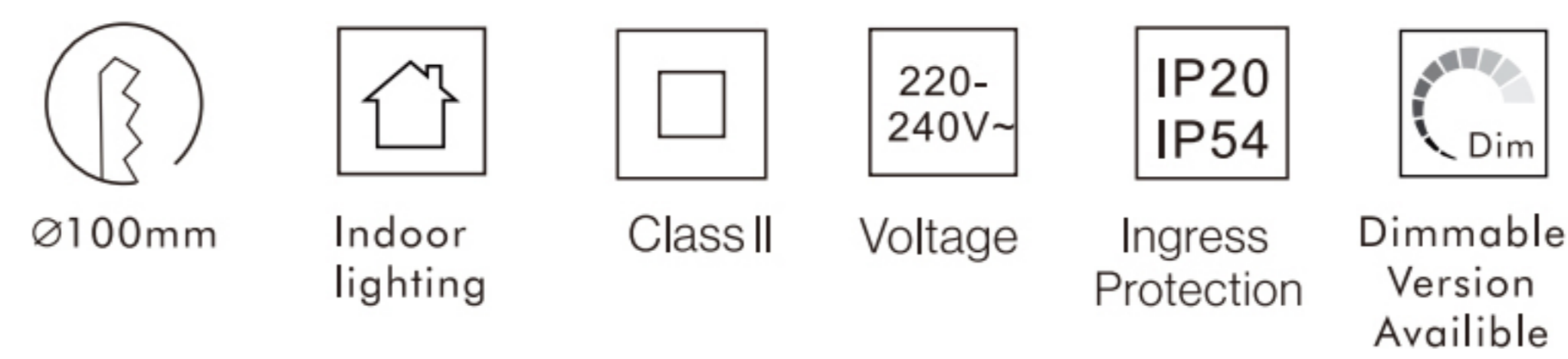


8601-SE-Q-100-H

Hyperelliptic

Power	15W
Beam angle	24° /36° /50°
CCT	2700K/3000K/3500K/4000K
Light source	COB
Light efficiency	100-110LM/W
UGR	<17
CRI	>90
Power supply	DC36V 350mA
Operating temperature	-15°C-45°C

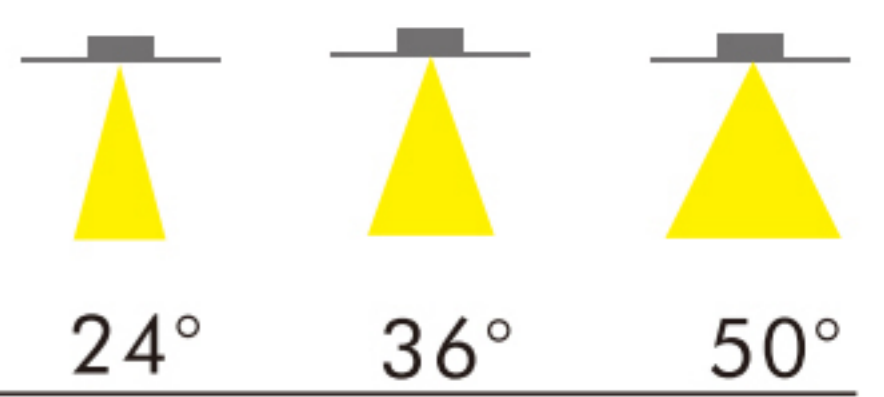
CE RoHS CB CCC



Dimming Options

1	Non-DIM
2	TRIAC
3	0/1-10V
4	DALI
5	Bluetooth

Beam Angles



Surfaces

materials

Aluminium + PC

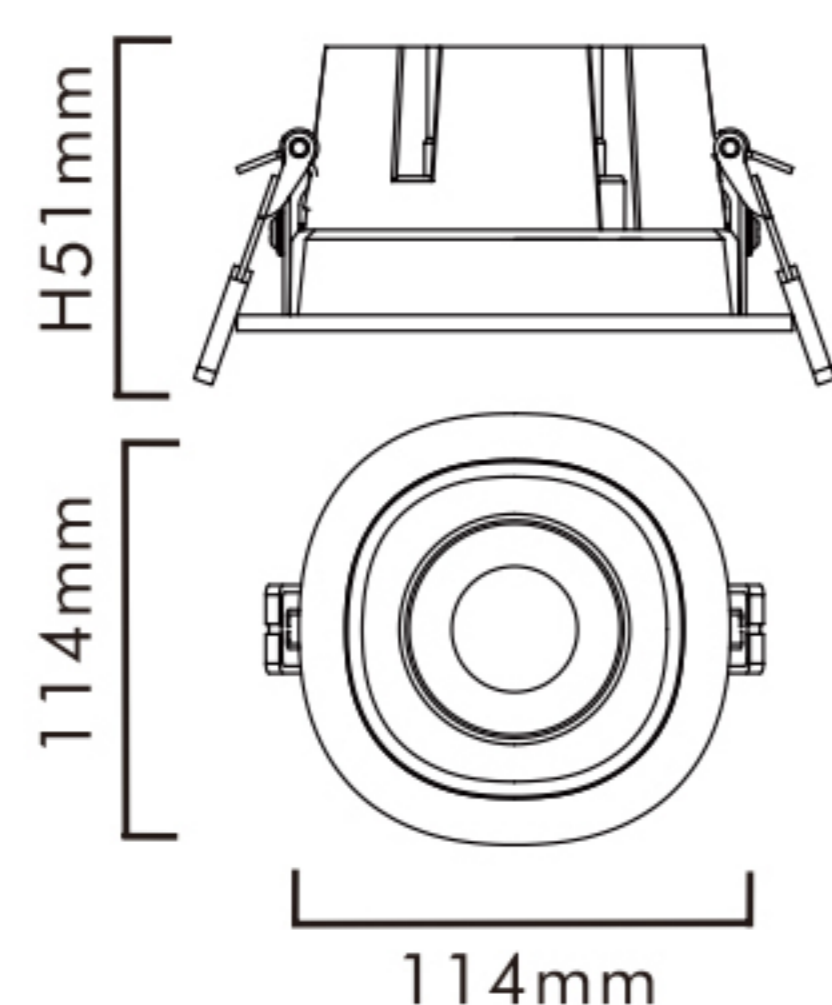
heatsink colors

Star Grey

surface shade

Translucent

Dimensions



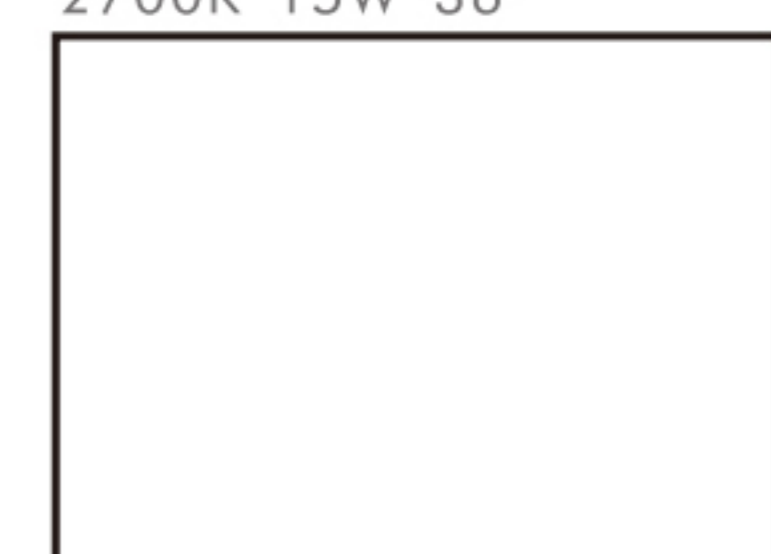
Performance

2700K 15W 24°



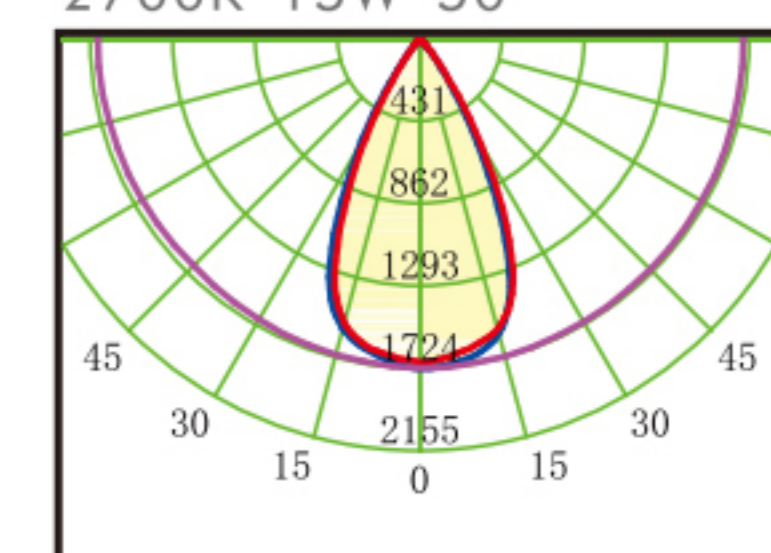
h(m)	E(lx)	D(m)
1		
2		
3		
4		

2700K 15W 36°



h(m)	E(lx)	D(m)
1		
2		
3		
4		

2700K 15W 50°



h(m)	E(lx)	D(m)
1	1724	1.00
2	431	2.00
3	191	3.00
4	108	4.01

for further lighting effects refer to updates photometric and IES files.



project-driven interior lighting solution provider