

Modulayer

Surface mounted luminaires series



Surface



8601-SE-M1-95-H1

Hyperelliptic

Power	16W
Beam angle	24° / 36° / 0°
CCT	2700K/3000K/3500K/4000K
Light source	COB
Light efficiency	100-110LM/W
UGR	<17
CRI	>90
Power supply	DC36V 400mA
Operating temperature	-15°C-45°C

Dimming Options

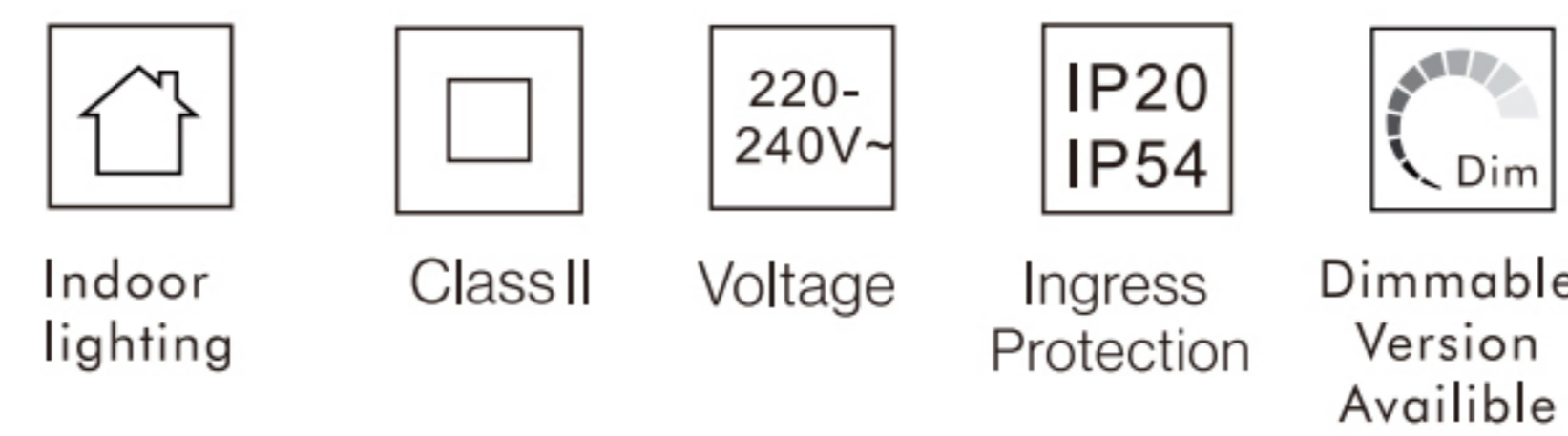
1	Non-DIM
2	TRIAC
3	0/1-10V
4	DALI
5	Bluetooth



Beam Angles

24° 36° 50°

CE RoHS CB (CCC)



Surfaces

materials

Aluminium + PC

heatsink colors

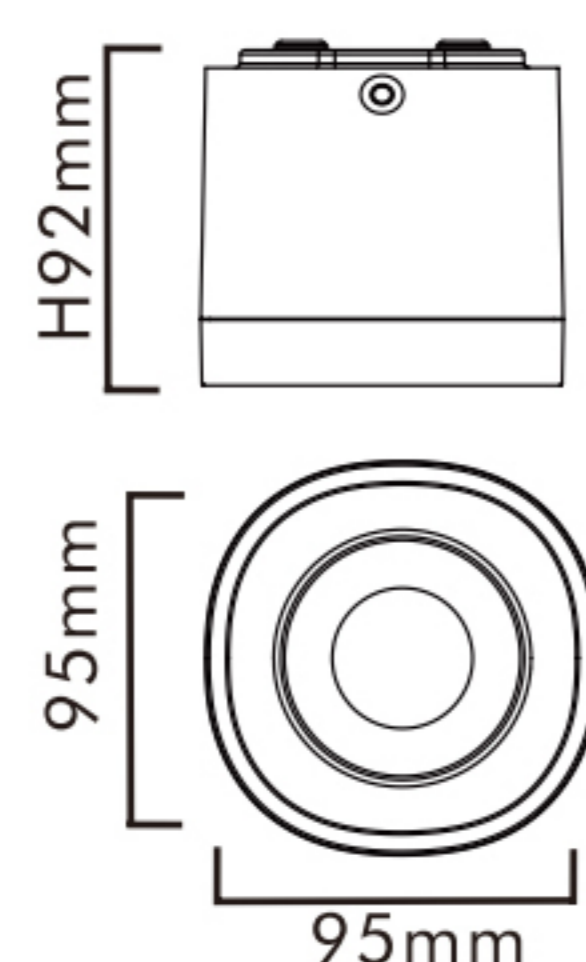
Moon White MineralGold

Star Grey Polar Black

surface shade

Translucent

Dimensions



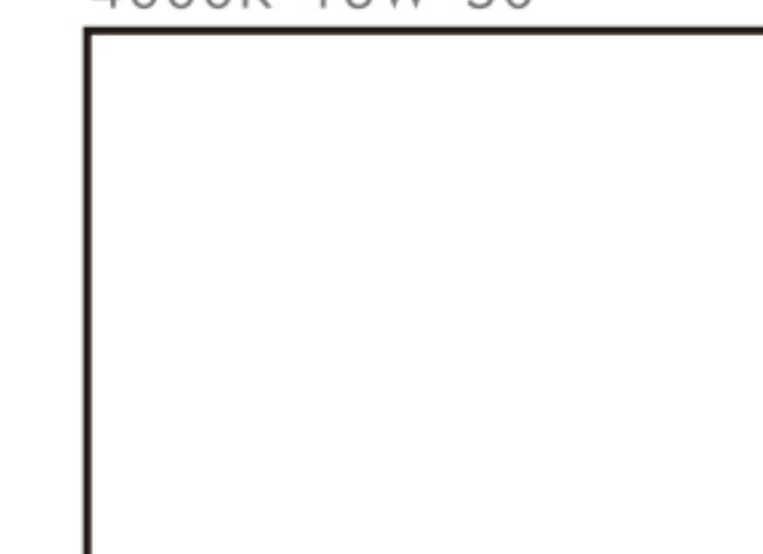
Performance

4000K 16W 24°



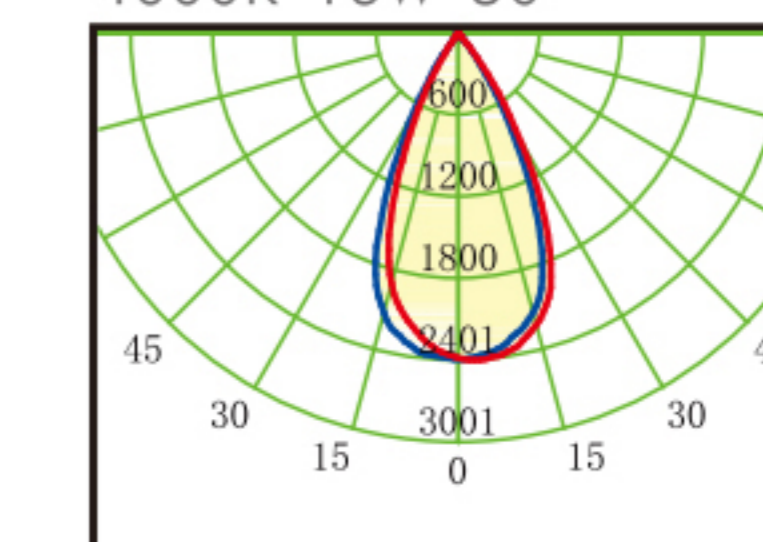
h(m)	E(lx)	D(m)
1		
2		
3		
4		

4000K 16W 50°



h(m)	E(lx)	D(m)
1		
2		
3		
4		

4000K 16W 50°



h(m)	E(lx)	D(m)
1	2735	0.95
2	683	1.89
3	303	2.84
4	171	3.79

for further lighting effects refer to updates photometric and IES files.



project-driven interior lighting solution provider