

# Modulayer

## Surface mounted luminaires series

Surface

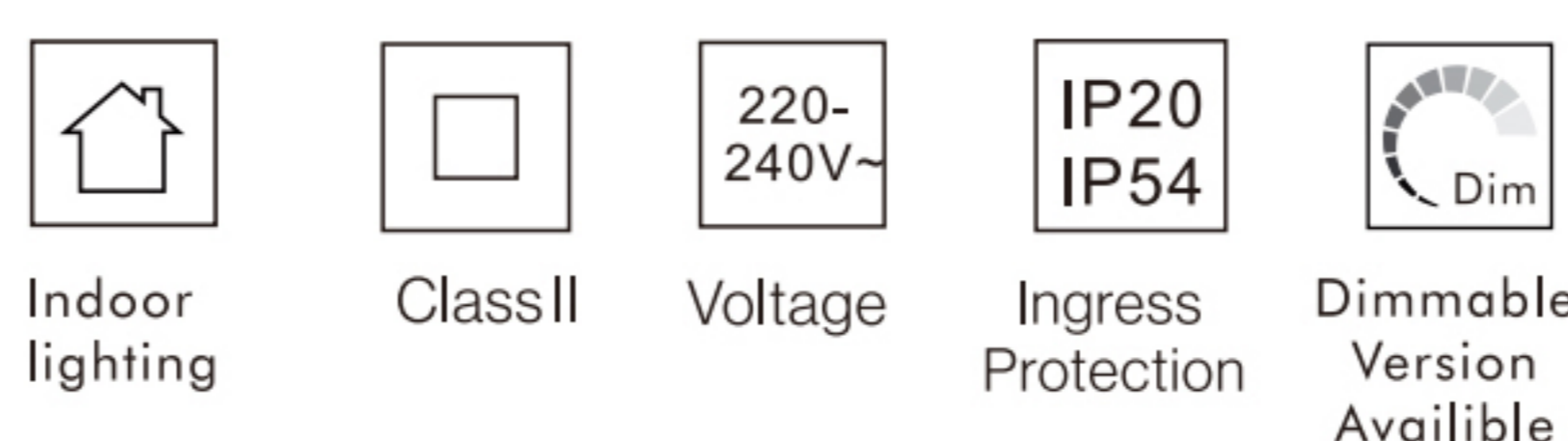


8601-SE-M1-139-H1

Hyperelliptic

Power	24W
Beam angle	50°
CCT	2700K/3000K/3500K/4000K
Light source	COB
Light efficiency	100-110LM/W
UGR	<17
CRI	>90
Power supply	DC36V 600mA
Operating temperature	-15°C-45°C

CE RoHS CB 



Dimming Options

1	Non-DIM
2	TRIAC
3	0/1-10V
4	DALI
5	Bluetooth

Beam Angles



50°

Surfaces

materials

Aluminium + PC

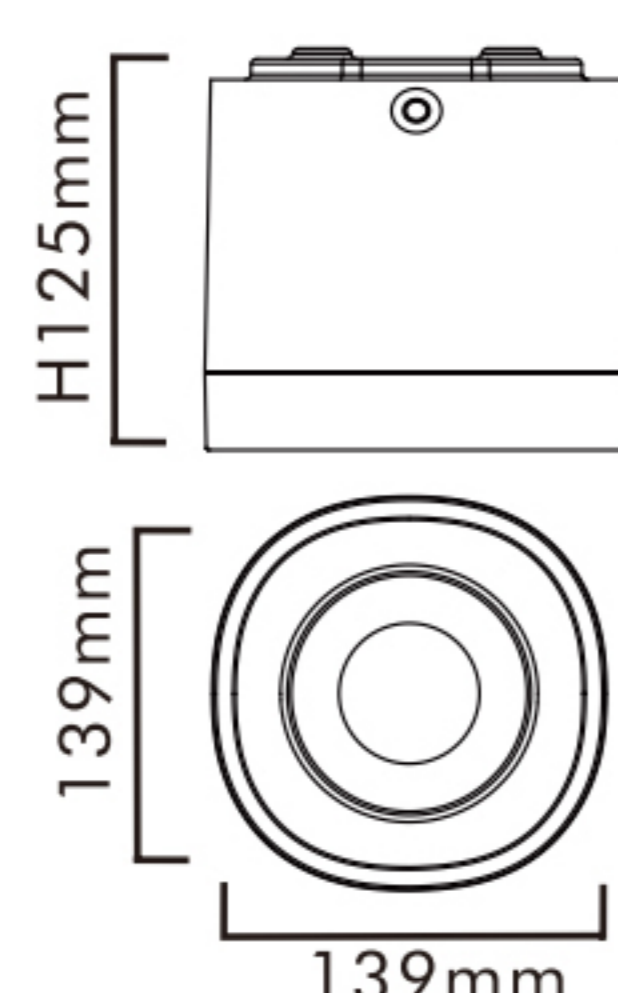
heatsink colors

Moon White  Mineral Gold   
 Star Grey  Polar Black 

surface shade

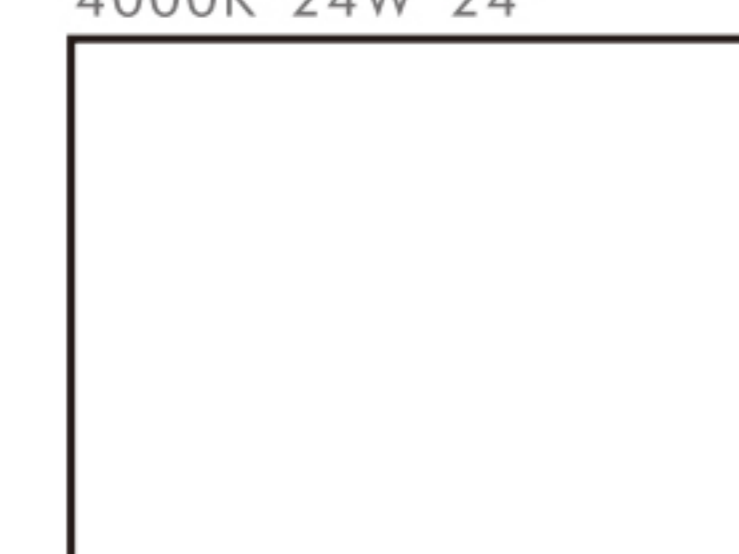
Translucent

Dimensions



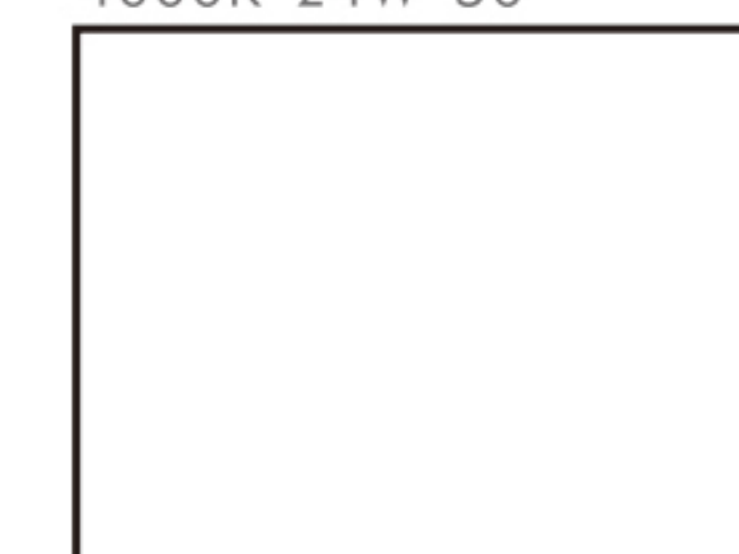
Performance

4000K 24W 24°



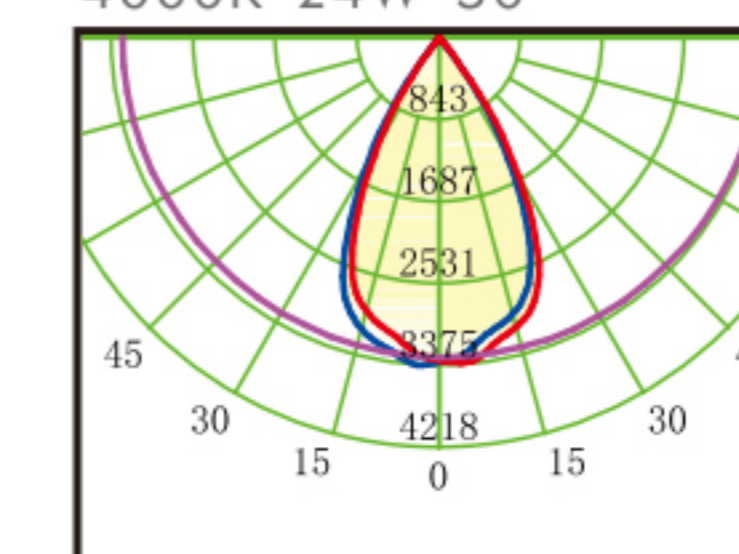
h(m)	E(lx)	D(m)
1		
2		
3		
4		

4000K 24W 50°



h(m)	E(lx)	D(m)
1		
2		
3		
4		

4000K 24W 50°



h(m)	E(lx)	D(m)
1	3345	1.08
2	836	2.17
3	371	3.25
4	210	4.33

for further lighting effects refer to updates photometric and IES files.



project-driven interior lighting solution provider