

# Modulayer

## recessed luminaires series

Downlight

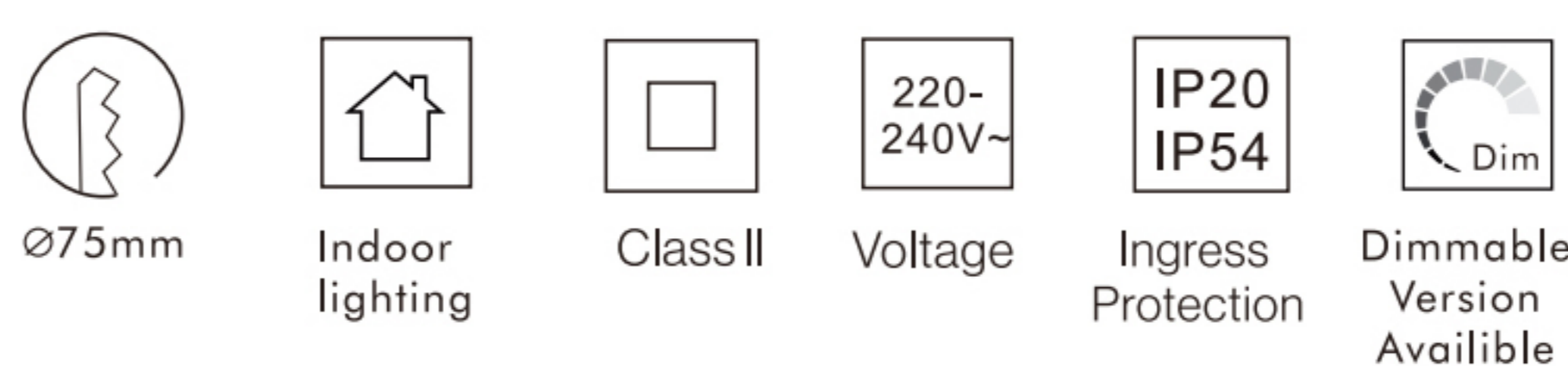


8601-R-Q-75-H

Round

|                       |                         |
|-----------------------|-------------------------|
| Power                 | 10W                     |
| Beam angle            | 24° /36° /50°           |
| CCT                   | 2700K/3000K/3500K/4000K |
| Light source          | COB                     |
| Light efficiency      | 100-110LM/W             |
| UGR                   | <17                     |
| CRI                   | >90                     |
| Power supply          | DC36V 230mA             |
| Operating temperature | -15°C-45°C              |

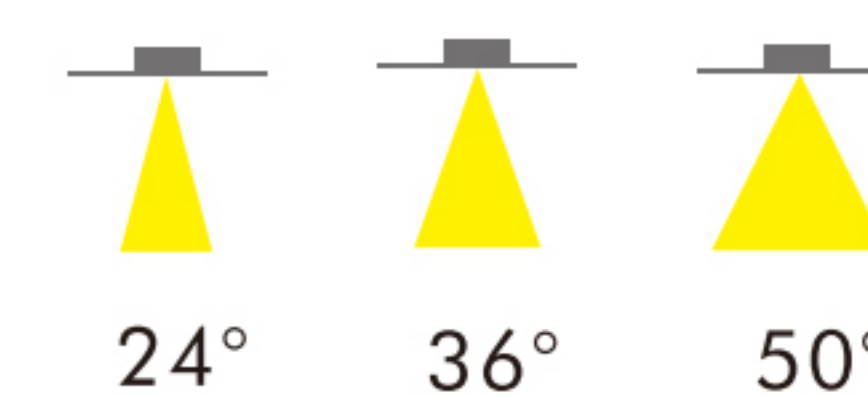
CE RoHS CB CCC



### Dimming Options

|   |           |
|---|-----------|
| 1 | Non-DIM   |
| 2 | TRIAC     |
| 3 | 0/1-10V   |
| 4 | DALI      |
| 5 | Bluetooth |

### Beam Angles



### Surfaces

#### materials

Aluminium + PC

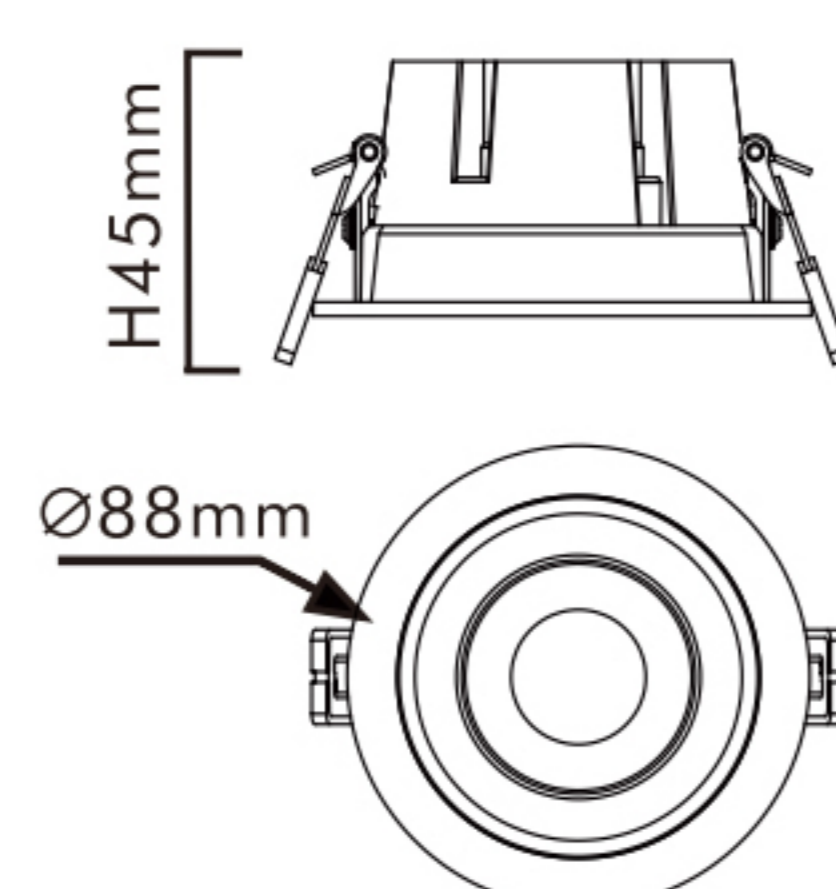
#### heatsink colors

Star Grey

#### surface shade

Translucent

### Dimensions



### Performance

| 4000K 10W 24° |  | h(m) | E(lx) | D(m) |
|---------------|--|------|-------|------|
|               |  | 1    |       |      |
|               |  | 2    |       |      |
|               |  | 3    |       |      |
|               |  | 4    |       |      |
| 4000K 10W 36° |  | h(m) | E(lx) | D(m) |
|               |  | 1    | 2709  | 0.63 |
|               |  | 2    | 677   | 1.27 |
|               |  | 3    | 301   | 1.09 |
|               |  | 4    | 170   | 2.53 |
| 4000K 10W 50° |  | h(m) | E(lx) | D(m) |
|               |  | 1    | 1710  | 1.00 |
|               |  | 2    | 427   | 1.99 |
|               |  | 3    | 190   | 2.98 |
|               |  | 4    | 106   | 3.98 |



project-driven interior lighting solution provider

for further lighting effects refer to updates photometric and IES files.