

Modulayer

recessed luminaires series

Downlight

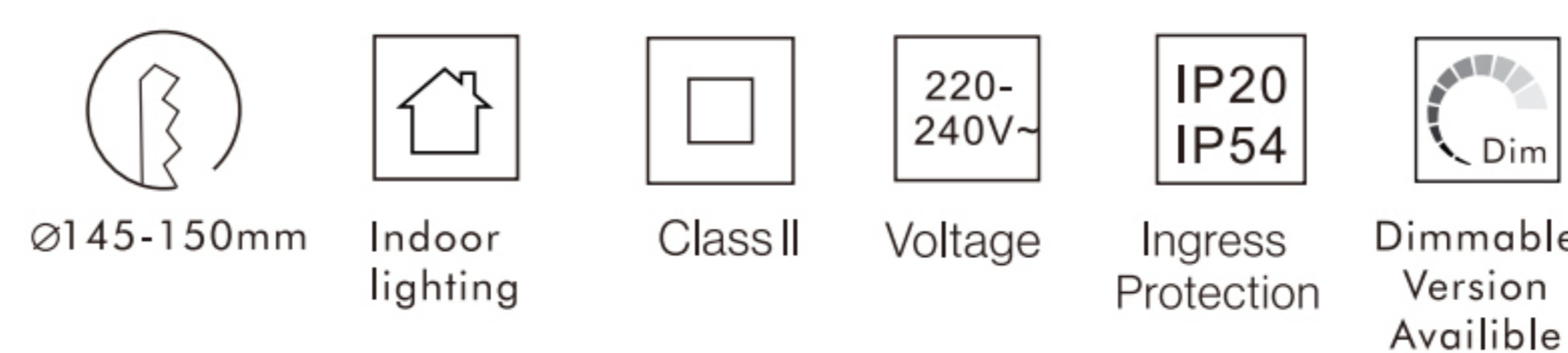


8601-R-Q-150-H

Round

Power	25W
Beam angle	50°
CCT	2700K/3000K/3500K/4000K
Light source	COB
Light efficiency	100-110LM/W
UGR	<17
CRI	>90
Power supply	DC36V 600mA
Operating temperature	-15°C-45°C

CE RoHS CB 



Dimming Options

1	Non-DIM
2	TRIAC
3	0/1-10V
4	DALI
5	Bluetooth

Beam Angles



50°

Surfaces

materials

Aluminium + PC

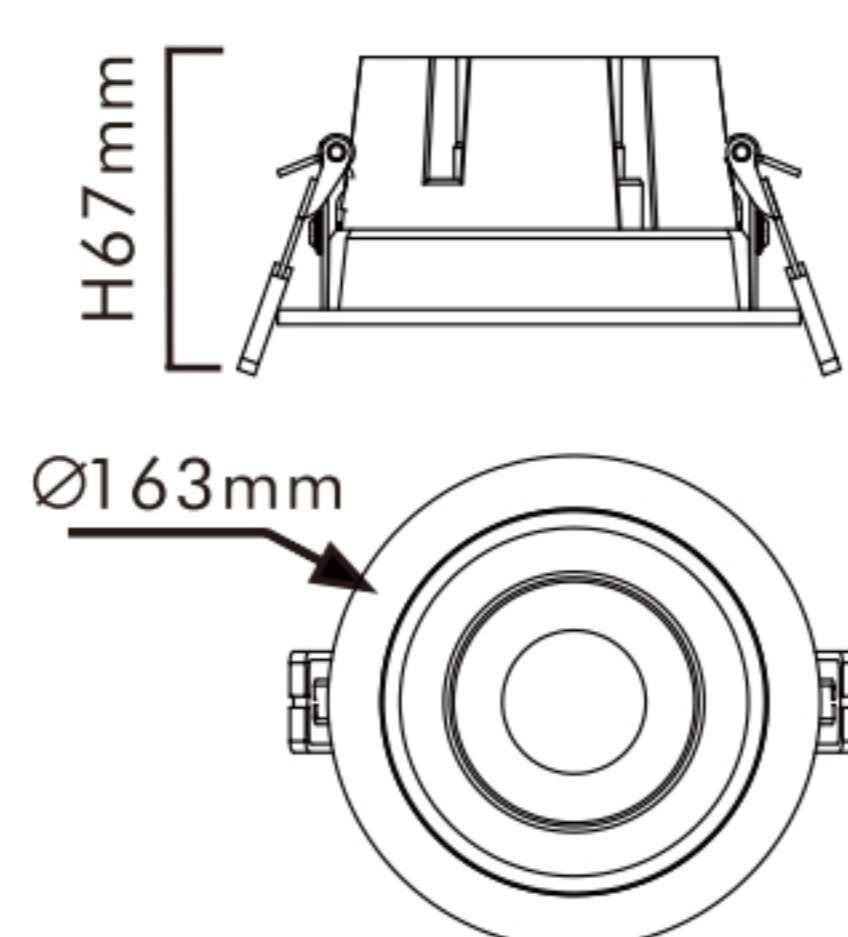
heatsink colors

Star Grey 


surface shade


Translucent

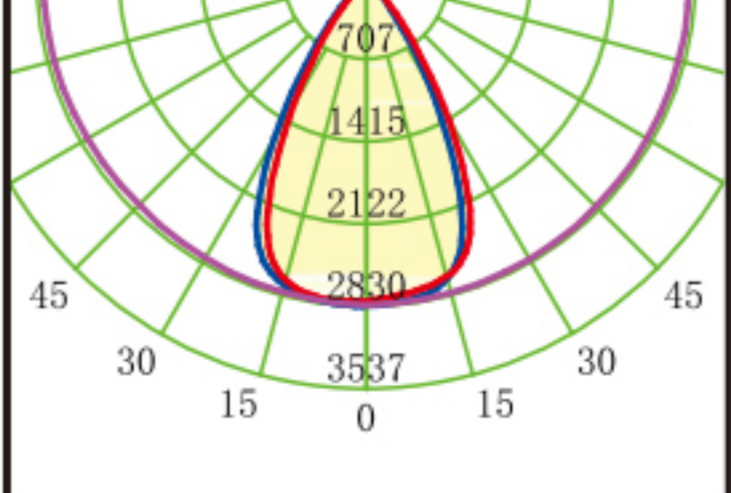
Dimensions



Performance

4000K 25W 24°	h(m)	E(lx)	D(m)
	1		
	2		
	3		
	4		

4000K 25W 36°	h(m)	E(lx)	D(m)
	1		
	2		
	3		
	4		

4000K 25W 50°	h(m)	E(lx)	D(m)
	1	2773	1.11
	2	693	2.22
	3	308	3.33
	4	173	4.44

for further lighting effects refer to updates photometric and IES files.



project-driven interior lighting solution provider