

Modulayer

recessed luminaires series

Downlight

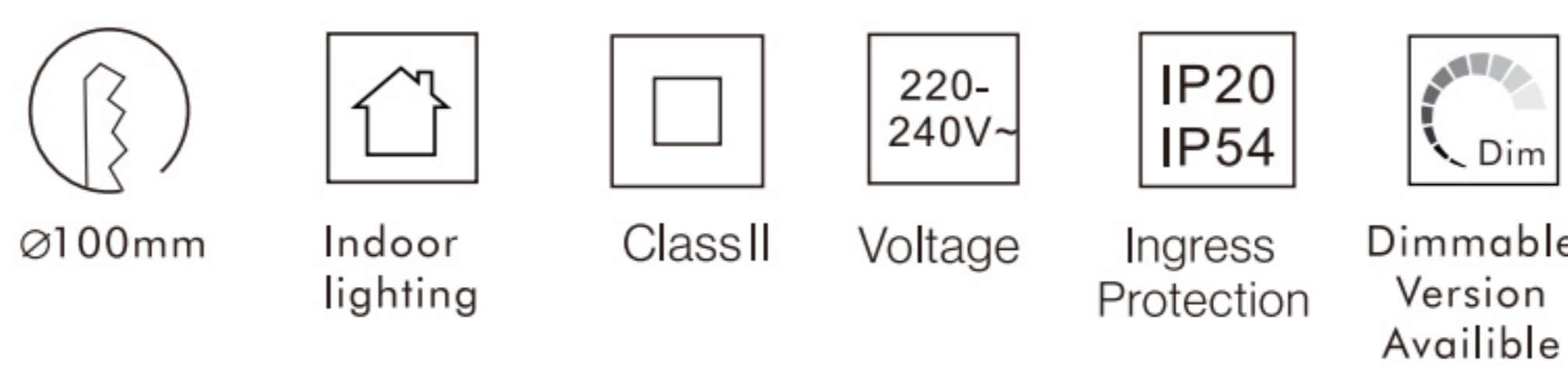


8601-R-Q-100-H

Round

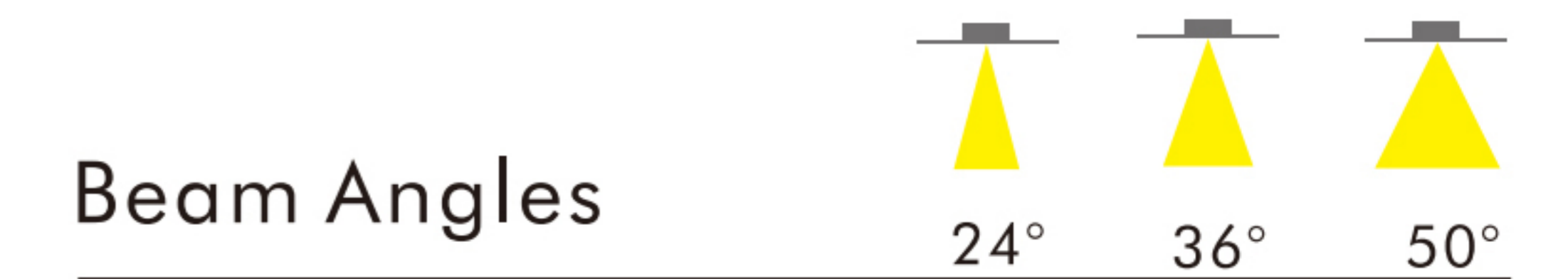
Power	15W
Beam angle	24° /36° /50°
CCT	2700K/3000K/3500K/4000K
Light source	COB
Light efficiency	100-110LM/W
UGR	<17
CRI	>90
Power supply	DC36V 350mA
Operating temperature	-15°C-45°C

CE RoHS CB CCC



Dimming Options

1	Non-DIM
2	TRIAC
3	0/1-10V
4	DALI
5	Bluetooth



Surfaces

materials

Aluminium + PC

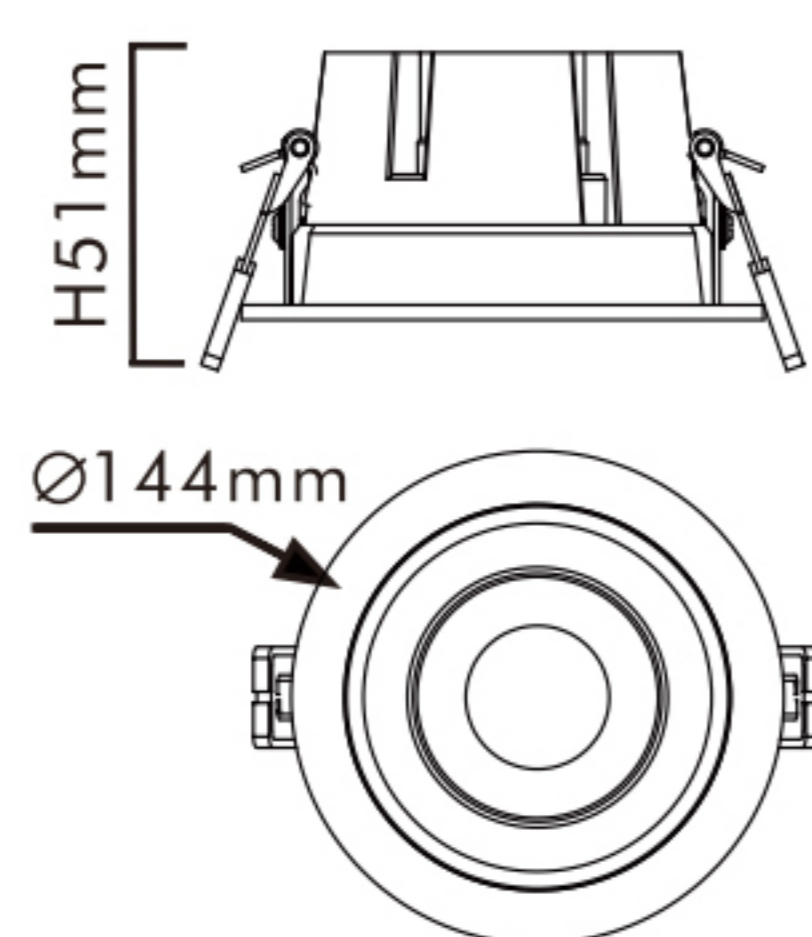
heatsink colors

Star Grey

surface shade

Translucent

Dimensions



Performance

2700K 15W 24°		
h(m)	E(lx)	D(m)
1		
2		
3		
4		

2700K 15W 36°		
h(m)	E(lx)	D(m)
1	2709	0.63
2	677	1.27
3	301	1.09
4	170	2.53

2700K 15W 50°		
h(m)	E(lx)	D(m)
1	1709	0.99
2	427	1.99
3	189	2.98
4	107	3.98

for further lighting effects refer to updates photometric and IES files.



project-driven interior lighting solution provider