

DESIGN-DRIVEN
DECORATIVE LIGHTING



PROJECT-DRIVEN INTERIOR
LIGHTING SOLUTION PROVIDER

CONTACT US

Website: <https://qiluxlighting.com>

Email: info@qiluxlighting.com





BRAND INTRODUCTION



Qilux Lighting is a project-based lighting partner for hospitality and architectural developments worldwide, combining design, engineering, and manufacturing to deliver lighting that performs—both aesthetically and functionally.



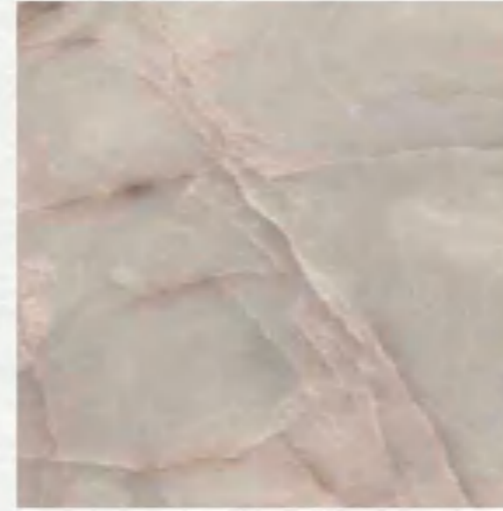
RoHS





QILUX MATERIAL PHILOSOPHY

Define atmosphere with
environmental innovation material



Alabaster



Brass



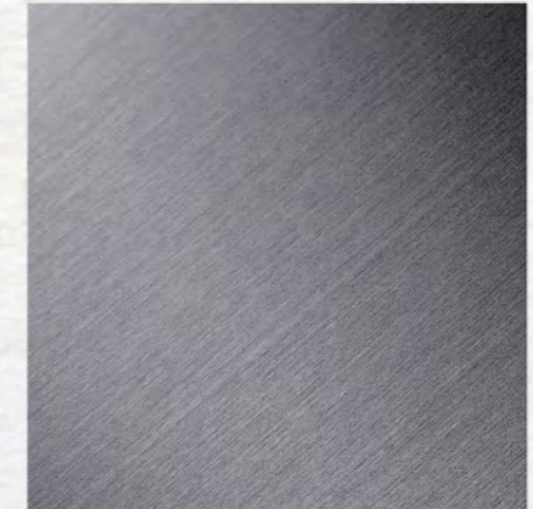
Marble



Crystal



Glass



Stainless steel



SUSTAINABLE FINISH

Responsible surface finishing

- 1.PVD
- 2.water-based coating
- 3.Low-voc Finish
- 4.Recyclable metal structure
- 5.Long-life LED compatibility

01. Nature series

09-12

02. Structure series

13-16

03. Glow series

17-20

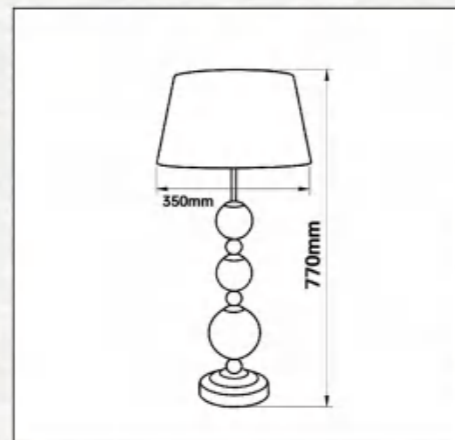
04. Statemant series

21-24

05. Bespoke&Hospitality

25-34

CONTENTS



DESCRIPTION

This lamp has alternating clear crystal and vintage copper metal spheres. Its soft fabric lampshade emits mild non-glare light. Suitable for living rooms, bedrooms, offices, hotels and cafes. Colors, materials and sizes are all

PRODUCT SPECIFICATIONS

- Model number: **TB-28**
- Material: **Crystal**
- Color: **Gold**
- Light source: **E27**
- Voltage: **220-240V**
- Certification: **CE**
- MOQ: **2**

DIMENSIONS

- Diameter: **W350mm*L770mm**



DESCRIPTION

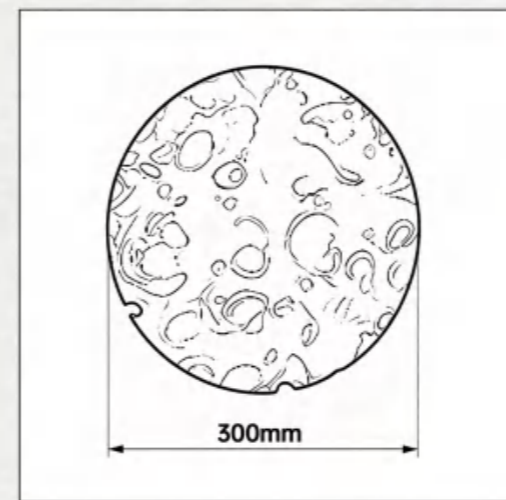
Made of natural fossil with original unique texture. Minimalist round design delivers soft non-glare light, blending decor and lighting charm. Ideal for home, homestays and art spaces. Customizable stone patterns, sizes and light color

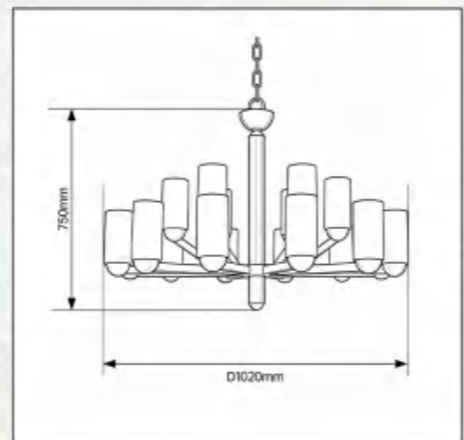
PRODUCT SPECIFICATIONS

- Model number: **WL-05-A**
- Material: **Fossil**
- Light source: **LED**
- Color: **White**
- Voltage: **220-240V**
- Certification: **CE**
- MOQ: **2**

DIMENSIONS

- Diameter: **300mm**





DESCRIPTION

This stunning pendant light artfully blends warm, polished brass with a shade crafted from alabaster. The alabaster softly diffuses a warm, ambient glow, while the richly textured brass lends a timeless, luxurious allure to any elegant

PRODUCT SPECIFICATIONS

- Model number: **NT-PD-MB-1020**
- Material: **Marble**
- Color/CCT option: **2700K—6500K**
- IP Rating: **IP20**
- Voltage: **AC 220v**
- Wattage: **18*5w=90w**
18*7w=126w
- Weight: **30kg**

DIMENSIONS

- Diameter: **D1020XH750mm**

DESCRIPTION

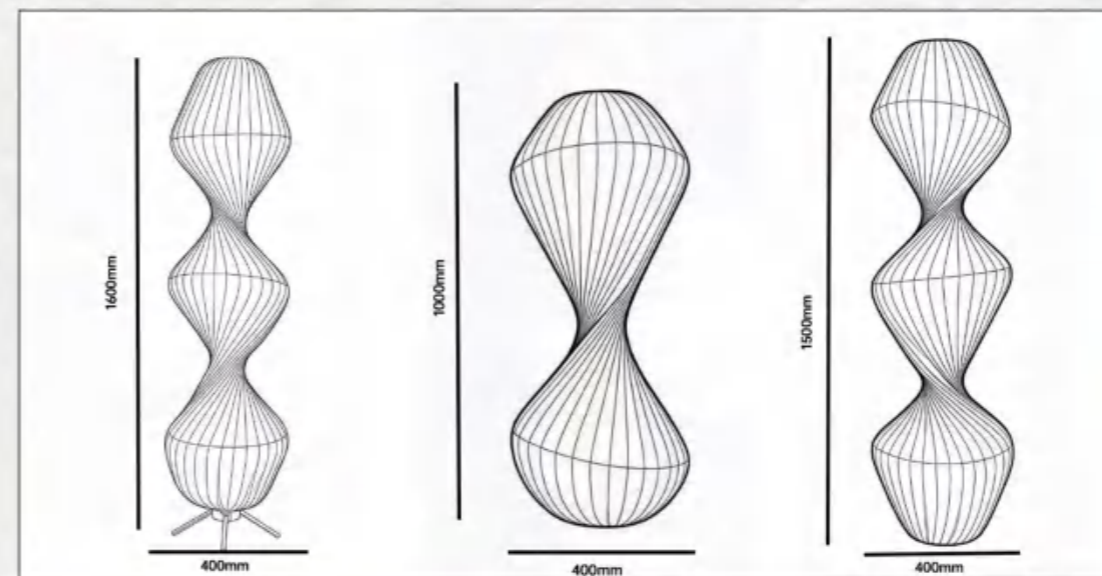
These sculptural lamps blend delicate silk shades with structured iron frames. The fluid, organic silhouettes are supported by subtle iron detailing, while the soft silk diffuses light into a warm, ambient glow, adding quiet modern elegance to any space.

PRODUCT SPECIFICATIONS

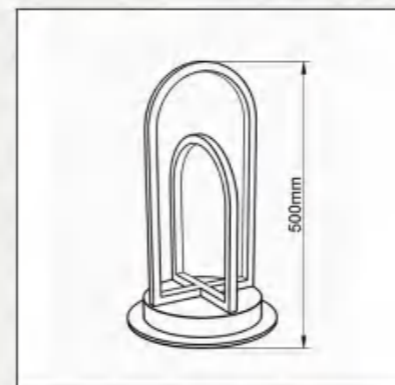
- Model number: **NT-PD-SI-400**
- Material: **silk+iron**
- Color/CCT option: **3000K**
- Weight: **2.4KG/3.5KG/4.1KG**
- Voltage: **220**
- Wattage: **55W/75W**
- Lamp holder/light source: **LED**
- IP Rating: **IP20**

DIMENSIONS

- Diameter: **D400*H1000mm / D400*H1500mm / D400*H1600mm**



STRUCTURE SERIES



DESCRIPTION

This stunning multi-ring crystal chandelier features cascading LED lights and delicate butterfly accents, offering a luxurious glow. Ideal for high-ceiling spaces, it blends modern elegance with artistic charm, elevating any living area with its sparkling ambiance.

PRODUCT SPECIFICATIONS

- Model number: **MT-FL-SS-500-PB**
- Material: **stainless steel**
- Color/CCT option: **3000K/4000K/6000K**
- Wattage: **LED MAX 25W**
- Voltage: **AC100-265V**
- Lamp holder/light source: **LED**
- Mounting type: **Table Top**

DIMENSIONS

- Length: **500mm**





DESCRIPTION

This modern twisted gold metal LED floor lamp has a stable black base, emits soft non-glare light. Stylish, energy-saving, ideal for living rooms, bedrooms and studies.

PRODUCT SPECIFICATIONS

- Model number: **ST-TL-SS-1500-RGD**
- Material: **stainless steel**
- color/CCT option: **3000K/4000K/6000K**
- Wattage: **LED MAX 35W**
- Voltage: **AC100-265V**
- Lamp holder/light source: **LED**
- Mounting type: **Floor Mounted**

DIMENSIONS

- Length: **1500mm**

DESCRIPTION

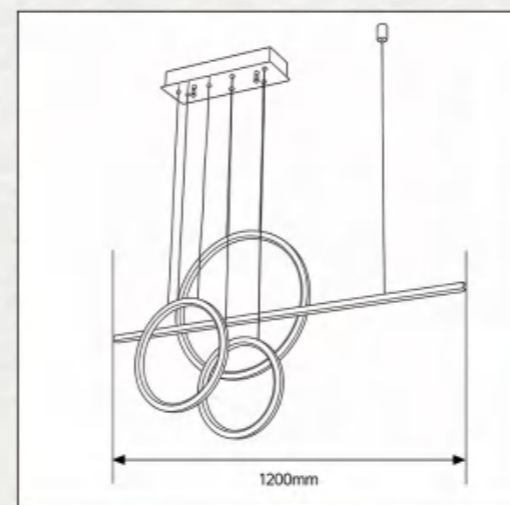
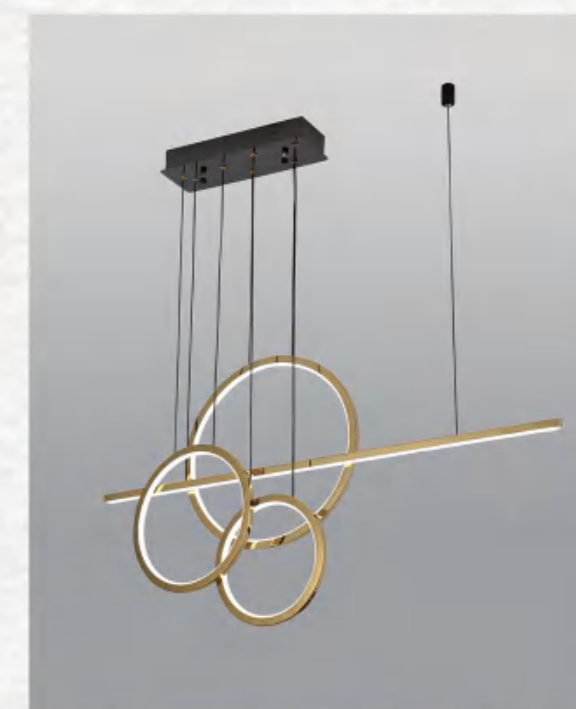
This modern gold LED pendant light with geometric circles and a bar offers soft, glare-free light, ideal for contemporary spaces.

PRODUCT SPECIFICATIONS

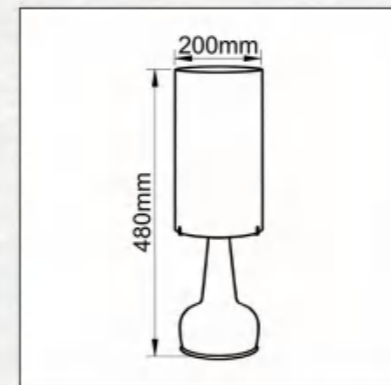
- Model number: **ST-PD-SS-1200**
- Material: **Stainless Steel + Silicone**
- Weight: **4kg**
- Color/CCT option: **3000-6000K**
- Wattage: **80W**
- Voltage: **AC100-265V**
- Lamp holder/light source: **LED**

DIMENSIONS

- Diameter: **1200mm**



GLOW SERIES

**DESCRIPTION**

This elegant table lamp has Spanish plaster shade and brushed brass base, casting warm soft light. Compact size, ideal for luxury home decor.

PRODUCT SPECIFICATIONS

- Model number: **NT-TL-MB-200**
- Material: **Brass+spanish alabaster**
- Weight: **2.8kg**
- Color/CCT option: **3000K**
- Wattage: **9W**
- Voltage: **220V**
- Lamp holder/light source: **G9**
- Mounting type: **Table Top**

DIMENSIONS

- Length: **480mm**
- Width: **200mm**



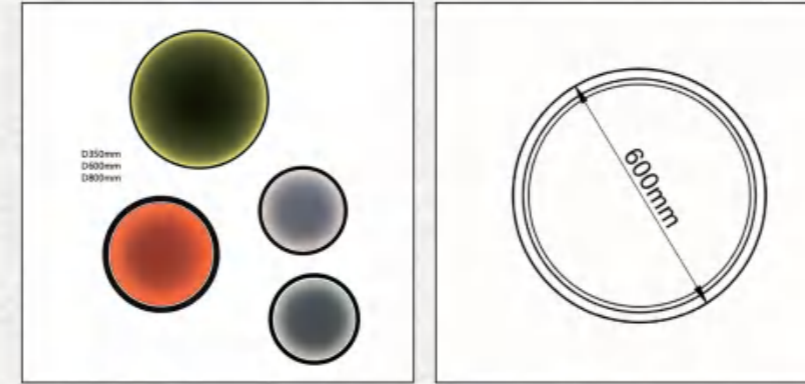
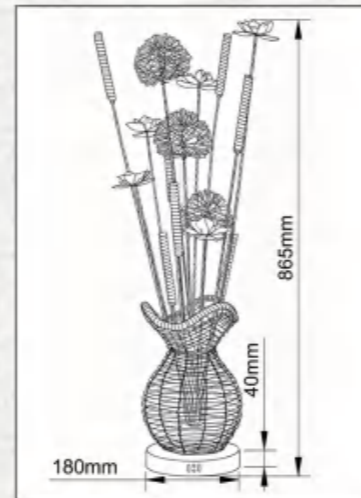


DESCRIPTION

This silver floral table lamp features a woven vase base and blooming-inspired lights, emitting a warm, soft glow. Its artistic, nature-inspired design adds a delicate decorative touch to any room.

PRODUCT SPECIFICATIONS

- Model number: **DL0441**
- Material: **IRON+aluminum alloy**
- Color/CCT option: **bright silver**
- Weight: **1.8KGS**
- Wattage: **8W**
- Voltage: **120V**
- Lamp holder/light source: **12V G4 LED**
- Certification: **TUV**
- Length: **865mm**
- Base Height: **40mm**
- Base Width: **180mm**



DESCRIPTION

Stylish textured circular wall lamp emits soft halo light. Minimalist design, various colors, perfect for modern home decor.

PRODUCT SPECIFICATIONS

- Model number: **BS-WL-AL-600-PL**
- Material: **aluminum+wool**
- Color/CCT option: **3000K**
- Weight: **4.5KG**
- Wattage: **40W**
- Voltage: **220V**
- Lamp holder/light source: **LED**
- Mounting type: **Suspended**

DIMENSIONS

- Width: **600mm**



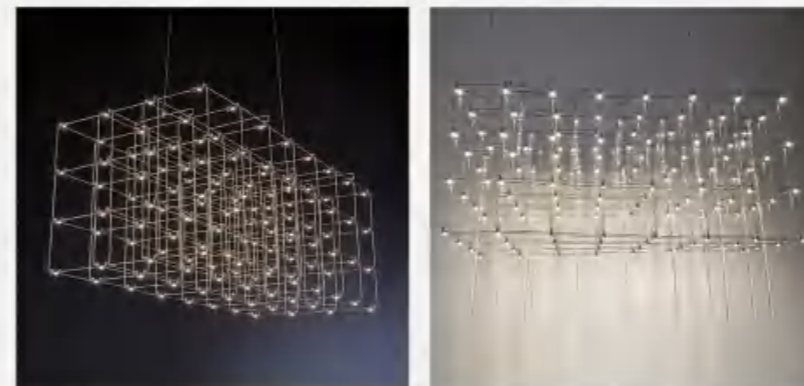


DESCRIPTION

This silver floral table lamp features a woven vase base and blooming-inspired lights, emitting a warm, soft glow. Its artistic, nature-inspired design adds a delicate decorative touch to any room.

PRODUCT SPECIFICATIONS

- Model number: **MT-PD-SS**
- Material: **Electroplated Stainless Steel + Glass**
- Color/CCT option: **4000k**
- Wattage: **3W**
- Voltage: **220V**
- Lamp holder/light source: **SMD + COB Light Source**
- **Custom Size**



DESCRIPTION

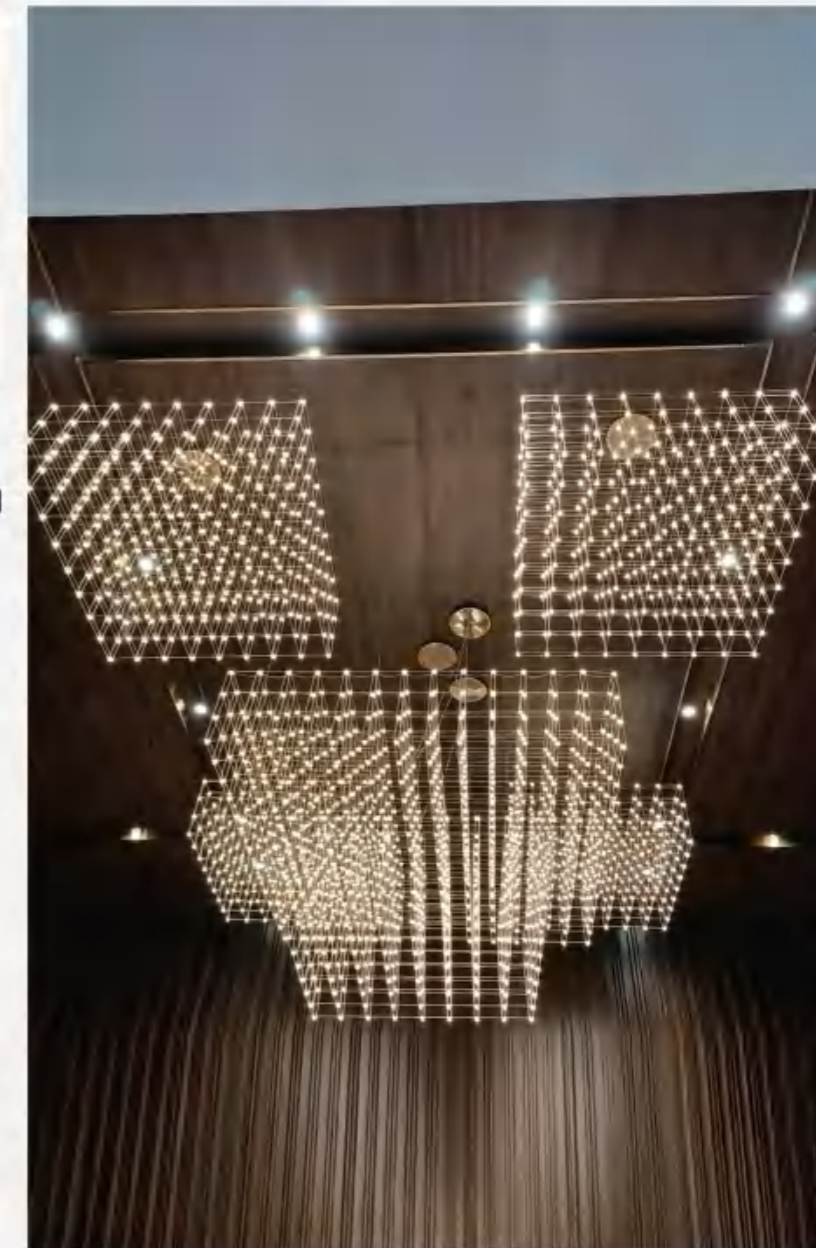
This modern cubic LED chandelier features a golden metal grid with bright lights, creating a starry geometric glow. Ideal for upscale spaces.

PRODUCT SPECIFICATIONS

- Model number: **MT-PD-SS-1950**
- Material: **stainless steel+glass**
- Color/CCT option: **3000K**
- Weight: **19.3KG**
- Wattage: **300W**
- Voltage: **220V**
- Lamp holder/light source: **LED**
- IP Rating: **IP20**

DIMENSIONS

- Size: **L1950*W1000*H1420mm**





DESCRIPTION

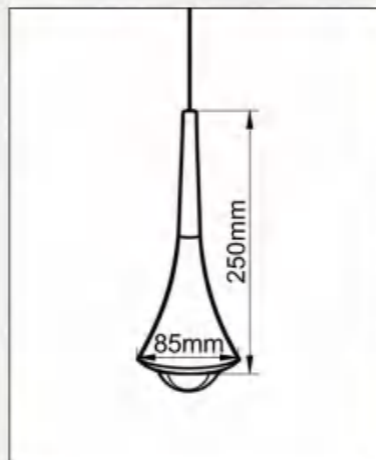
This modern pendant light features a sleek, tapered silhouette with a smoky black shade and gold accents. Its minimalist design, crafted with premium metal, offers warm ambient light. Perfect for contemporary spaces, especially when clustered for a dramatic, artistic statement.

PRODUCT SPECIFICATIONS

- Model number: **NT-PD-AL-85-PL**
- Material: **iron+aluminum**
- Color/CCT option: **3000K**
- Weight: **0.7KG**
- Wattage: **7W**
- Voltage: **220-240V**
- Lamp holder/light source: **LED**
- Mounting type: **Suspended**

DIMENSIONS

- Length: **250mm** Width: **85mm**



DESCRIPTION

This stunning multi-ring crystal chandelier features cascading LED lights and delicate butterfly accents, offering a luxurious glow. Ideal for high-ceiling spaces, it blends modern elegance with artistic charm, elevating any living area with its sparkling ambiance.

PRODUCT SPECIFICATIONS

- Model number: **NT-CH-CR-1400-Chrome**
- Material: **Metal+Crystal**
- Color/CCT option: **Chrome**
- Wattage: **252W**
- Voltage: **220V**
- Lamp holder/light source: **252W 3000K/4000K**
- Mounting type: **Suspended**

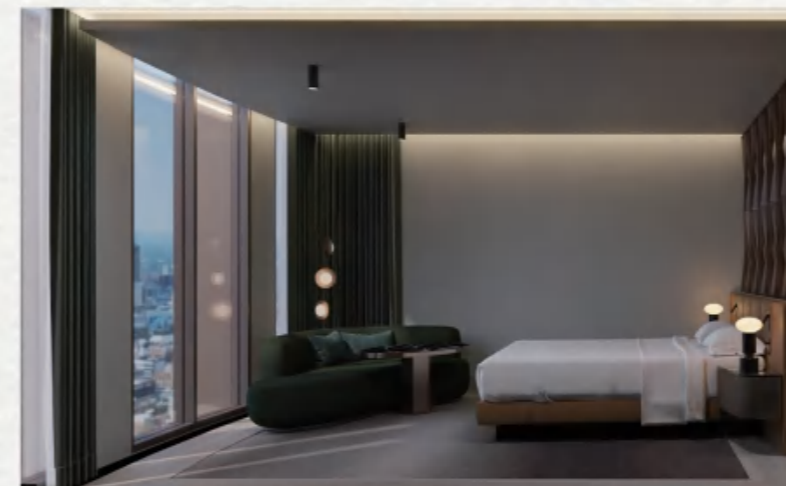
DIMENSIONS

- Size: **L2800mm*W1400mm**



W Hotel Manchester

📍 U.K.



W180 × L1360.3 mm
Marbel+Spanish Alabaster



W490 × L470 mm
Marble+Metal



W260 × L1562 mm
Metal+Glass

📍 U.K.

WATERHOUSE GARDEN - MANCHESTER.



Dome lighting with High quality stainless steel
+ FRP plus LED light source

Size: D2500mm*H300mm / D1500mm*H300mm
D1200mm*H300mm / D1000mm*H300mm

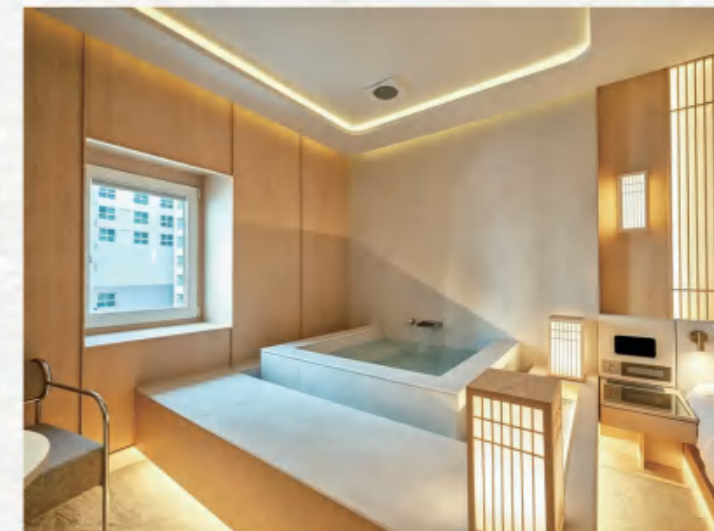


📍 U.K. WATER HOTEL PUBLIC SPACES



📍 South Korea

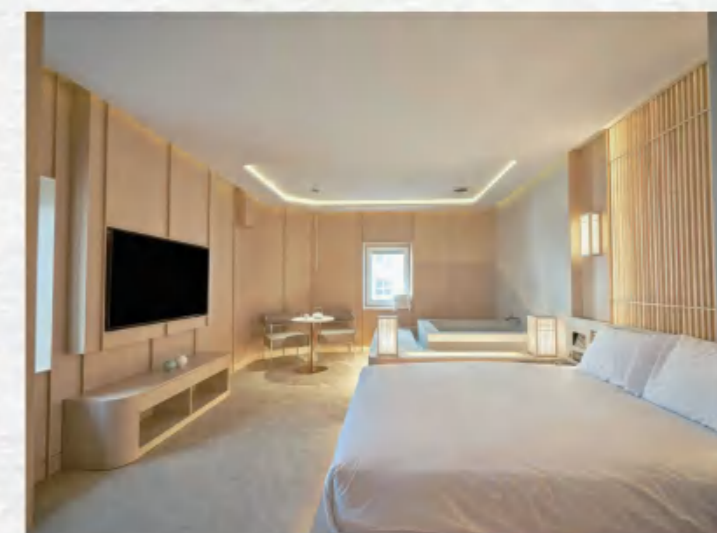
WYNDHAM GOSEONG GANGWON



W155 × L405 mm
Wood



W207 × L405 mm
Wood





Villa living room



Exhibition hall



BESPOKE & HOSPITALITY SOLUTIONS

From concept alignment and technical specification to production and delivery, Qilux supports lighting projects with a structured, engineering-driven approach that ensures design intent is realized with reliability.



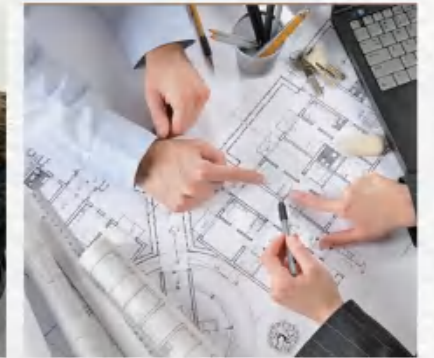
PROJECT BRIEF & QUALIFICATION



CONCEPT ALIGNMENT



TECHNICAL REVIEW & SPECIFICATION



QUOTATION & VALUE ENGINEERING



SAMPLE DEVELOPMENT



PRODUCTION & QUALITY CONTROL



DELIVERY & INSTALLATION SUPPORT