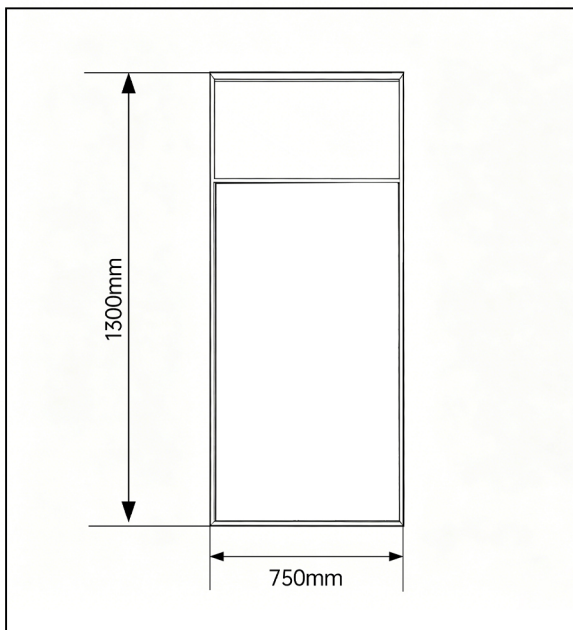


STAINLESS STEEL FRAME SQUARE STORAGE SHELF



DESCRIPTION

This full-length mirror features a brushed antique bronze-finish frame, meticulously crafted from electroplated 304 stainless steel with anti-fingerprint properties. The mirror surface utilizes a high-quality, eco-friendly 5mm glass lens, backed by a sturdy and durable multi-layered solid wood cabinet structure. With its sleek, minimalist design, it seamlessly blends practical functionality with a sense of luxury—making it an ideal addition to bedrooms, dressing areas, or entryways.



PRODUCT SPECIFICATIONS

- Material: **Stainless Steel Frame**
- **+Multi-layer Solid Wood Cabinet Body**
- Glass: **5mm HD Eco-friendly Mirror**
- **Built-in Tissue Dispenser and Soap Dispenser**

DIMENSIONS

- Length: **1300mm**
- Width: **750mm**