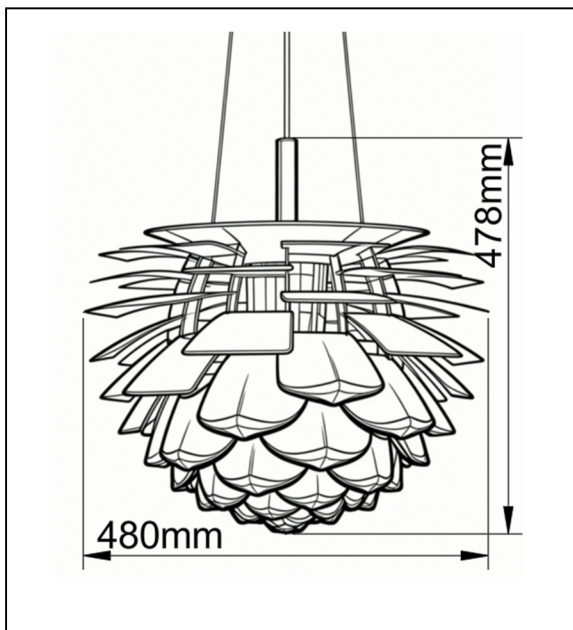


Orlina 480 pendant

DESCRIPTION

The iconic "Artichoke" pendant lamp captivates with its sculptural, spherical silhouette. Crafted from aluminum, the fixture achieves a 100% glare-free lighting effect by diffusing warm light both inward and outward. Suspended by slender, fluid cables, it serves not only as a breathtaking focal point in modern interior spaces but also perfectly blends artistic expression with exceptional lighting comfort.



PRODUCT SPECIFICATIONS

- Model number: **BS-PD-AL-480-BR**
- Material: **aluminum**
- Color/CCT option: **3000K**
- Weight: **7.8KG**
- wattage: **7W**
- Voltage: **220-240V**
- Lamp holder/light source: **E27**
- Mounting type: **Suspended**

DIMENSIONS

- Length: **478mm**
- Width: **480mm**