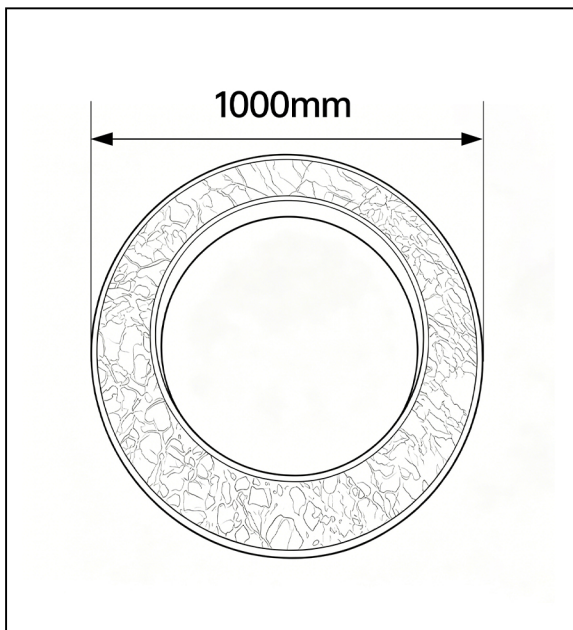


# CALINA 1000 PENDANT



## DESCRIPTION

These two stunning chandeliers feature polished stainless steel frames adorned with Luxurious Amazon Green stone. The circular pendant boasts a solid stone panel, while the ring-shaped design showcases the stone inlay. The rich green and gold veining, paired with the warm metallic finish, creates a bold, opulent statement. Perfect for elevating modern luxury interiors with natural stone artistry.



## PRODUCT SPECIFICATIONS

- Model number: **NT-PD-MB-1000**
- Material: **stainless steel+**
- **Luxurious Stone Amazon Green**
- Weight: **16kg**
- Color/CCT option: **3000K**
- Wattage: **100W**
- Voltage: **220V**
- Lamp holder/light source: **LED**
- Mounting type: **Suspended**

## DIMENSIONS

- Diameter: **1000mm**