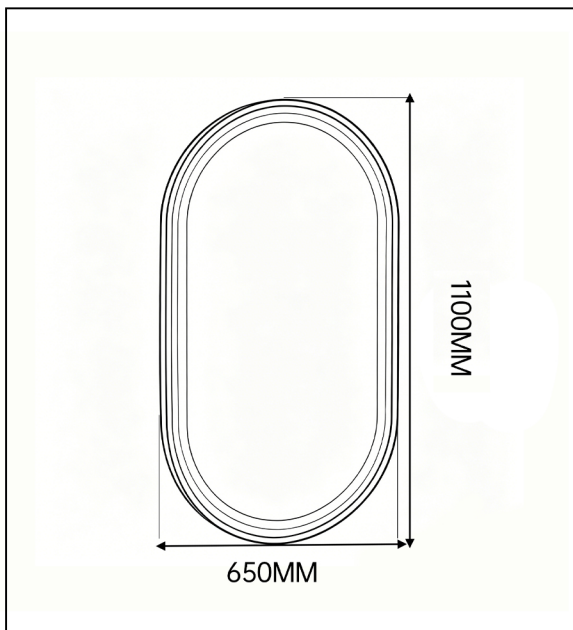


304 STAINLESS STEEL FRAME 5MM ECO-FRIENDLY MIRROR



DESCRIPTION

This is a modern minimalist oval LED mirror with a matte black frame and soft backlighting. Featuring a high-definition surface and touch control, it combines functionality and style, ideal for bathrooms or entryways to elevate any space.



PRODUCT SPECIFICATIONS

- Frame: **Stainless steel frame**
- Mirror: **5mm high-definition environmental protection mirror**
- Lighting: **Mirror surface illumination**
- Light source: **LED**
- Control: **Dual switch**
- Function: **Anti-fog**
- Structure: **Fully enclosed back panel**

DIMENSIONS

- SIZE: **650*1100**