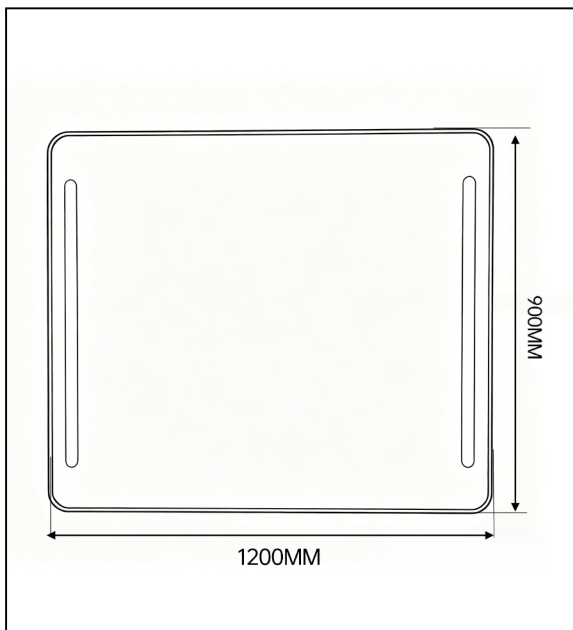


304 STAINLESS STEEL FRAME 5MM ECO-FRIENDLY MIRROR



DESCRIPTION

This is a modern minimalist rounded-square LED bathroom mirror, featuring dual side lights and soft border lighting. With uniform, gentle illumination and clear reflections, it combines lighting and anti-fog functions, ideal for bathroom spaces to enhance both practicality and style.



PRODUCT SPECIFICATIONS

- Frame: **Stainless steel frame**
- Mirror: **5mm high-definition environmental protection mirror**
- Lighting: **Mirror surface illumination**
- Control: **LED+single switch**

DIMENSIONS

- SIZE: **1200*900**